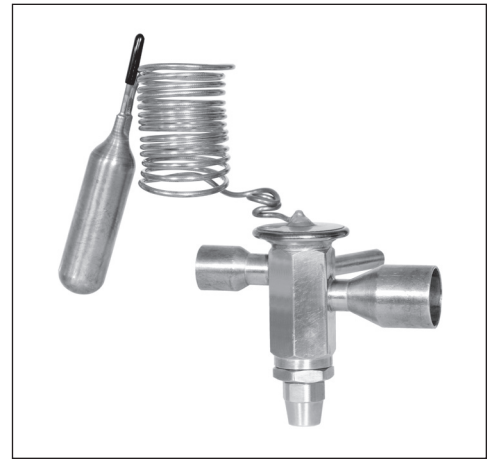




# H/HC Series Thermostatic Expansion Valves

## Adjustable Bottom Cap Assembly Replacement and Non-Adjustable Valve Conversions

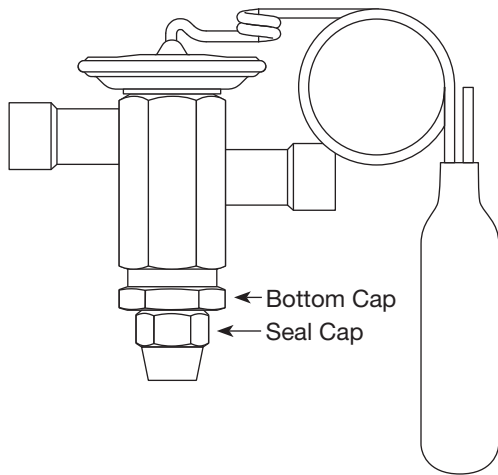
Installation and Servicing Instructions  
Kit Part Number 020404-33  
SD-406 / 42016



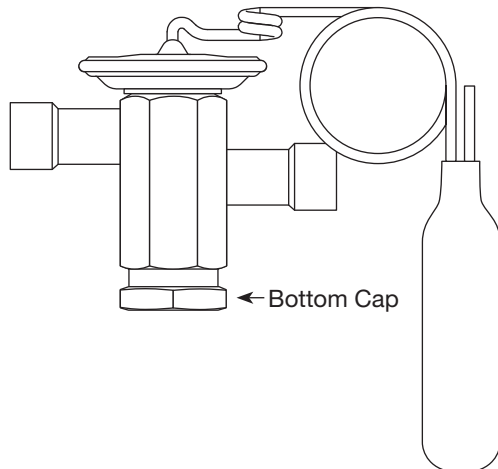
### INSTALLATION INSTRUCTIONS

1. Before disassembling the TEV, be sure the refrigerant pressure in the system has been reduced to a safe level (0 psig).
2. If the valve is adjustable, remove the seal cap and cap assembly, discarding both parts. If the valve is non-adjustable, remove non-adjustable bottom cap and discard.

#### ADJUSTABLE H/HC

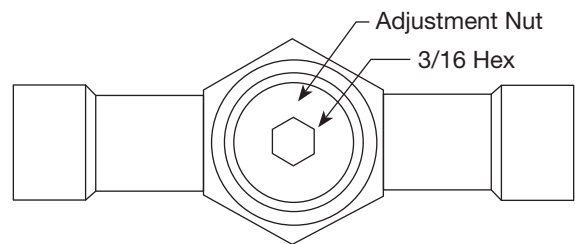


#### NON-ADJUSTABLE H/HC

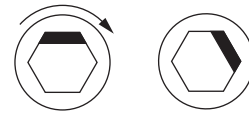


3. Install new adjustable bottom cap assembly.

#### BOTTOM VIEW with bottom cap removed

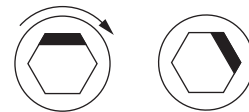


- 3/16 hex on new adjustable bottom cap assembly will fit into adjustment nut inside thermostatic expansion valve.
- Hand tighten bottom cap.
- Turn bottom cap assembly 1 hex flat as depicted below. (Reference marks may be added to valve body and bottom cap to provide a visual reference of how far bottom cap has been tightened.)



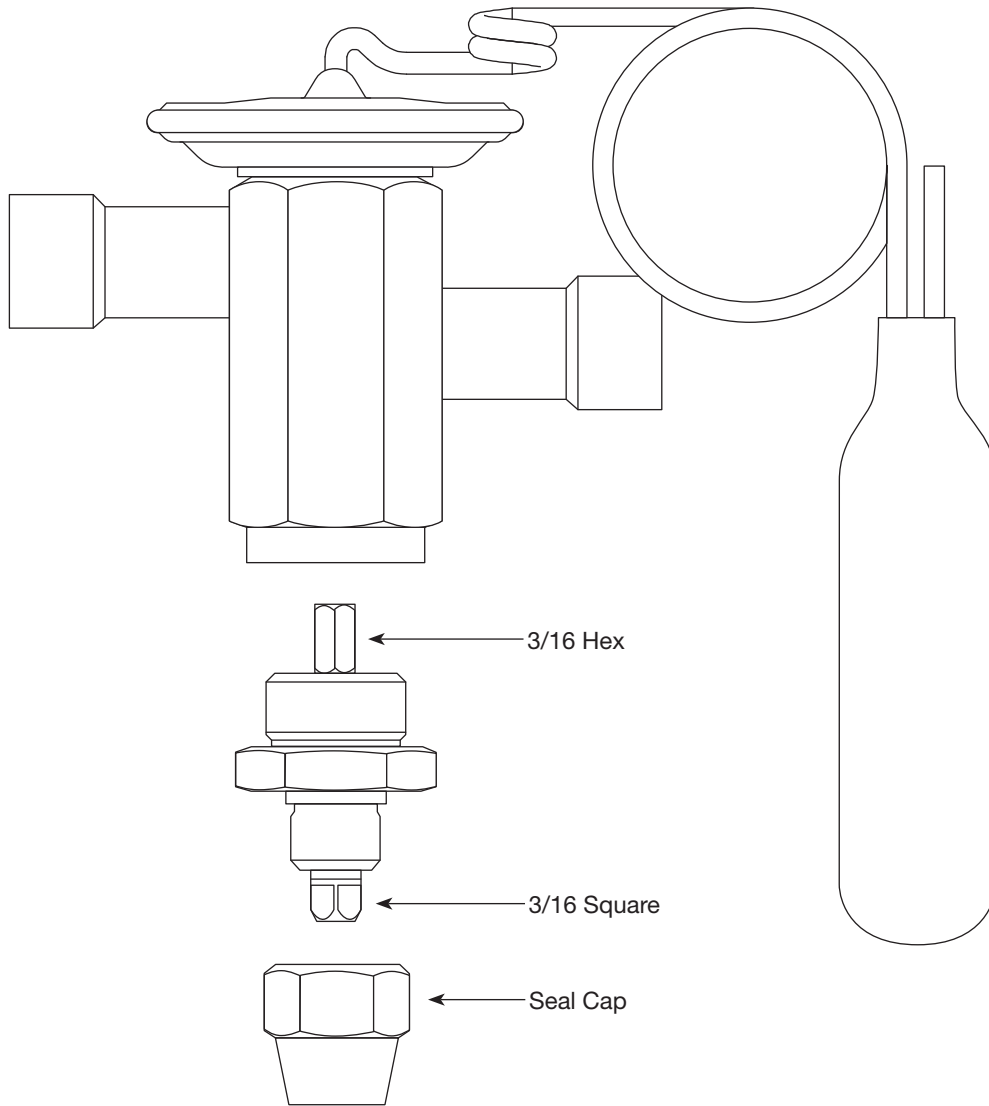
4. Install seal cap.

- Hand tighten seal cap.
- Turn seal cap 1 hex flat as depicted below. (Reference marks may be added to valve body and seal cap to provide a visual reference of how far seal cap has been tightened.)



5. With the system operating, check the superheat, (see enclosed temperature pressure card), and adjust the valve as necessary. Install and tighten seal cap per step 4, this cap is the primary seal.

## H/HC ASSEMBLY



### **⚠ WARNING – USER RESPONSIBILITY**

**Failure or improper selection or improper use of the products described herein or related items can cause death, personal injury and property damage.**

This document and other information from Parker Hannifin Corporation, its subsidiaries and authorized distributors provide product or system options for further investigation by users having technical expertise.

The user, through its own analysis and testing, is solely responsible for making the final selection of the system and components and assuring that all performance, endurance, maintenance, safety and warning requirements of the application are met. The user must analyze all aspects of the application, follow applicable industry standards, and follow the information concerning the product in the current product catalog and in any other materials provided from Parker or its subsidiaries or authorized distributors.

To the extent that Parker or its subsidiaries or authorized distributors provide component or system options based upon data or specifications provided by the user, the user is responsible for determining that such data and specifications are suitable and sufficient for all applications and reasonably foreseeable uses of the components or systems.

