

## Pump Mounting Kits for 248 & 247 Series Power Take-Offs

As announced last month with the release of the New Chelsea 248 Series Power Take-Off (PTO) for MY 2011 Ford Super Duty Trucks, application page FRD-10, CGP-P11 pump models have changed to accommodate a longer pump mounting bolt on the 248 Series vs. mounting to the 247 Series.

The P11 pump is the same pump that is used on the 247 Series applications (FRD-9) and the ten digit pump model number remains the same. The change was required to ensure that the correct pump mounting kit is shipped since there is a bolt length difference between the 247 and 248 power take-offs. The **GC** suffix designates the mounting kit for the 248 Series and the **FC** designates the kit required for the 247 Series. See Mounting Kit Charts on back of this bulletin

### Example

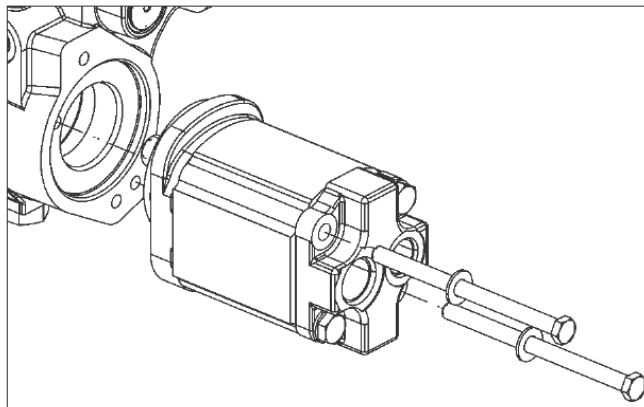
CGP-P11A026-5GC (334 9110 028) = 248 Series

CGP-P11A026-5FC (334 9110 028) = 247 Series

The **GC** suffix pump will come with kit number 329418-3X (bolt length 4.50")

The **FC** suffix pump will come with kit number 329418-2X (bolt length 4.25")

- **NOTE: DO NOT** use the bolts from the 248 Series P11 pumps with the 247 Series P11 pumps of the same part number. Using the longer bolts may not allow the pump to be torqued correctly to the PTO and cause the pump to leak or fail. The bolts used with the P11 pumps on the 247 Series can be used with the 248 Series P11 Pumps but, to take advantage of the additional threaded hole depth the 248 provides. It is recommended that you use the bolts listed on the chart (see back of this bulletin) for best mounting of the pump to the PTO.



- **NOTE:** Torque Pump Mounting Bolts between 35-38 Lbs.ft [48-52 N.m]. Also check that all rear cover bolt are torqued to recommended specifications.
- **CAUTION:** Failure to Torque Pump Bolts to the Correct Specifications May Result in Poor Pump Performance and/or Premature Failure

OVER

248 Series					
Pump	Pump Tag Number	Pump Mounting Kit	Bolt Number 2 per Pump	Bolt Size	Flat Washer
CGP-P11A016-5GC	334 9110 027	329418-2X	378431-31	.375"-16 x 4.25"	500365-26 (2)
CGP-P11A026-5GC	334 9110 028	329418-3X	378431-32	.375"-16 x 4.50"	500365-26 (2)
CGP-P11A032-5GC	334 9110 068	329665-3X	378431-33	.375"-16 x 4.75"	500365-26 (2)
CGP-P11A037-5GC	334 9110 029	329665-3X	378431-33	.375"-16 x 4.75"	500365-26 (2)
CGP-P11A042-5GC	334 9110 030	329418-6X	378431-34	.375"-16 x 5.00"	500365-26 (2)
CGP-P11A055-5GC	334 9110 031	329418-7X	378431-35	.375"-16 x 5.25"	500365-26 (2)
CGP-P11A061-5GC	334 9110 053	329418-8X	378431-36	.375"-16 x 5.50"	500365-26 (2)
CGP-P11A071-5GC	334 9110 032	329665-7X	378431-37	.375"-16 x 5.75"	500365-26 (2)

247 Series					
Pump	Pump Tag Number	Pump Mounting Kit	Bolt Number 2 per Pump	Bolt Size	Flat Washer
CGP-P11A016-5FC	334 9110 027	329418-1X	378431-30	.375"-16 x 4.00"	500365-26 (2)
CGP-P11A026-5FC	334 9110 028	329418-2X	378431-31	.375"-16 x 4.25"	500365-26 (2)
CGP-P11A032-5FC	334 9110 068	329418-3X	378431-32	.375"-16 x 4.50"	500365-26 (2)
CGP-P11A037-5FC	334 9110 029	329418-3X	378431-32	.375"-16 x 4.50"	500365-26 (2)
CGP-P11A042-5FC	334 9110 030	329418-4X	378431-33	.375"-16 x 4.75"	500365-26 (4)
CGP-P11A055-5FC	334 9110 031	329418-5X	378431-34	.375"-16 x 5.00"	500365-26 (4)
CGP-P11A061-5FC	334 9110 053	329418-6X	378431-34	.375"-16 x 5.00"	500365-26 (2)
CGP-P11A071-5FC	334 9110 032	329418-7X	378431-35	.375"-16 x 5.25"	500365-26 (2)
CGP-P11A082-5FC	334 9110 033	329418-8X	378431-36	.375"-16 x 5.50"	500365-26 (2)

If you have questions about this bulletin or other technical questions, contact us at:

US: Chelsea Customer/Technical Services at **1-888-PH4-TRUK** (1-888-744-8785)  
 Canada: Parker Hannifin Canada, Motion & Controls Division 905-693-3020



Walt Harris  
 Product Sales Manager  
 Chelsea Products