

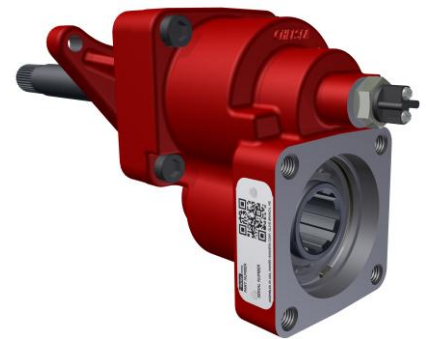
New 523 Series Global Rear Mount Applications

The two gear designed rear mount P.T.O. provides a compact housing which helps eliminate clearance issues along with two speed ratios to meet your application requirements. High capacity bearings and superior gear designs provide torque ratings up to 260 Lbs. ft. or 350 N.m. for the ultimate performance. The superior design of this P.T.O. provides all the power you will need so there is no need to de-rate the P.T.O. for continuous applications. The 523 has eight mounting adapters that allow it to mount on ZF, IVECO, Eaton Fuller, Volvo/Mack transmissions and features six shift options integrated into the P.T.O. housing for a space saving design. The Cam lock shift mechanism provides a positive engagement for each shift cycle. The two direct mount pump flange options come standard with our Wet Spline design that provides increased P.T.O. and pump shaft life. Versatility, power, ease of maintenance and installation make the 523 Series the only choice for your vocational truck requirements.

Markets: Fire, Refuse, Sewer/Sanitation, Aerial and Tipper applications.

Product Features & Benefits

- Continuous Torque rating of 350 N.m [260 Lbs.ft]
- Rear Mount Design – Less Mounting Space Required
- No Gear back lash to set – Simplifying Installation
- Wet Spline Output Options –Extends Pump Shaft Life
- Four Direct Mount Pump Options
- Four Shift Options



See the back page of this bulletin for model configurations and technical information.

If you have questions about this bulletin or other technical questions, contact us at:

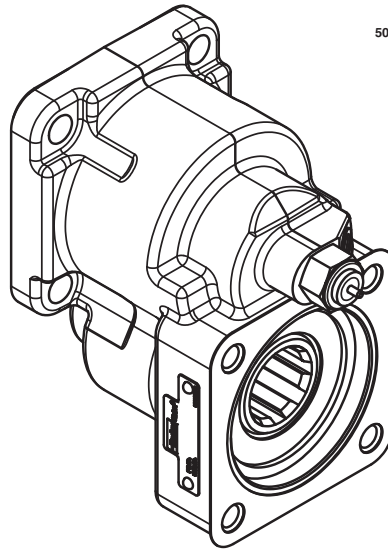
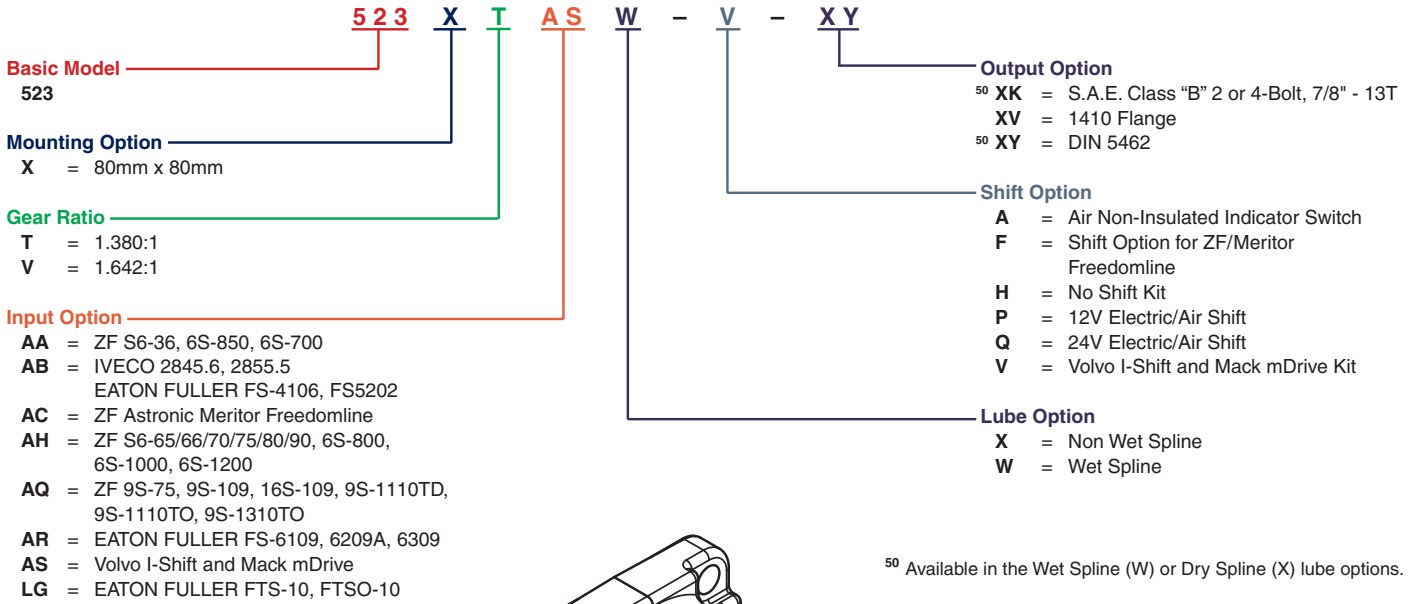
US: Chelsea Customer/Technical Services at **1-888-PH4-TRUK** (1-888-744-8785) or Fax 662.895.1069

Canada: Parker Canada Division 905-693-3020

Europe: Chelsea Products Europe +44 (01543) 483875

Walt Harris
Product Sales Manager
Chelsea Products

523 SERIES POWER TAKE-OFF SPECIFICATIONS AND TECHNICAL DATA



⁵⁰ Available in the Wet Spline (W) or Dry Spline (X) lube options.

Specifications Chart

	523*T	523*V
Standard Output Shaft Size	4-Bolt DIN 5462	
Intermittent & Continuous Torque Rating (Lbs. ft.)	258	258
Intermittent & Continuous Torque Rating (N.m.)	350	350
Horsepower Rating for Intermittent & Continuous Service		
At 500 R.P.M. of Output Shaft (HP)	25	25
At 1000 R.P.M. of Output Shaft (HP)	49	49
At 500 R.P.M. of Output Shaft (Kw)	18	18
At 1000 R.P.M. of Output Shaft (Kw)	37	37
Approximate Weight:	12.0 lbs. [5.4 kg]	