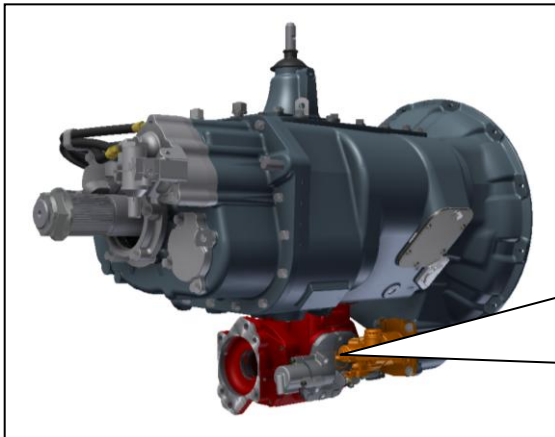


New Shifter Design for 880 and 941 Series

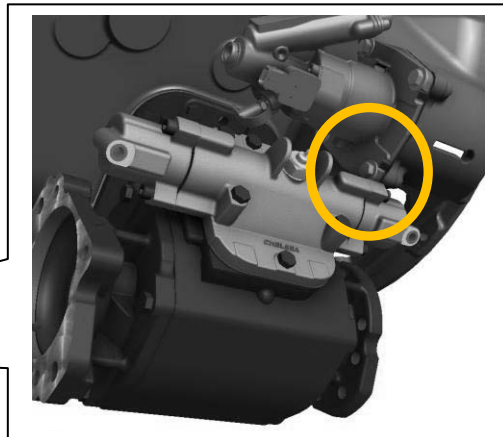
Over the past year Eaton® Fuller® has added an opening in the bell housing for a hydraulic clutch option on RT and FRO series transmissions. Several OE chassis manufactures, Freightliner and Kenworth are installing the hydraulic clutch actuator as standard.

This new option now causes interference issues when mounting the Chelsea 880 Series Power Take-Off (P.T.O.) in either the "3" or "5" assembly arrangement. In the "3" arrangement the current shifter cylinder cap interferes or barely clears the hydraulic actuator. In the "5" assembly arrangement the actuator interferes with the P.T.O. housing.

RT Series Transmission Shown

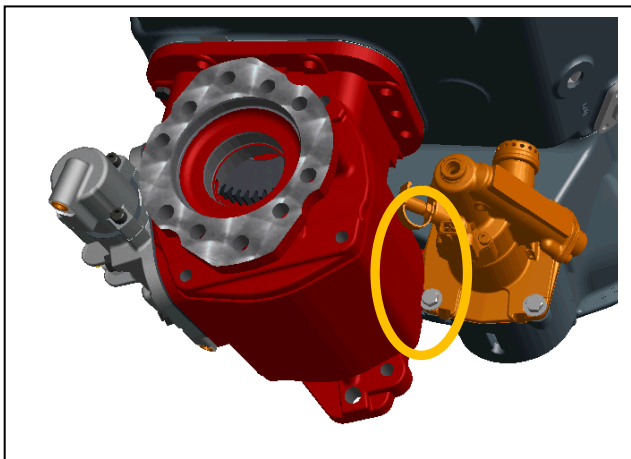


Current 329126X Air Shifter (A) – "3" Ass'y

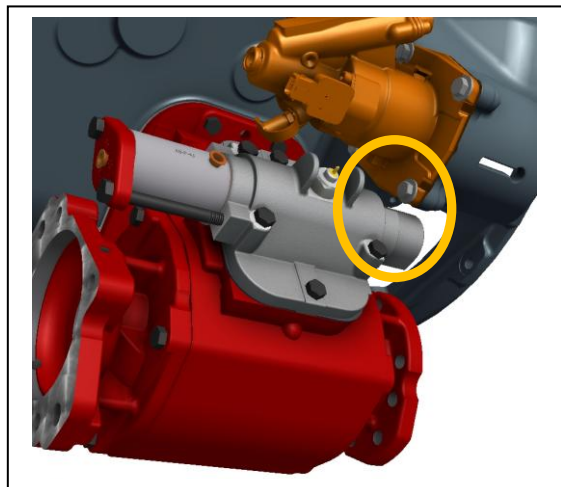


The new designed Air and Lever shift options now provide the required clearance for installation.

"5" Assembly



New 329772X Air Shifter (A) – "3" Ass'y



OVER

With this change in design, part numbers have changed for the shifter housings and kits. This will also affect the 941 Series split shaft units as they share the same shifter design. See chart below

| P.T.O. Series | Current Shifter Number | New Shifter Number | Description |
|----------------------|-------------------------------|---------------------------|------------------------------------|
| 880 | 329126X | 329772X | Air Shift "A" |
| 880 | 329125X | 329774X | Lever Shift "Y" |
| 941 | 329351X | 329773X | Air/Spring Shift ,Single Shift "E" |
| 941 | 329101X | 329775X | Air Shift "A" |
| 941 | 329100X | 329776X | Lever Shift "Y" |
| 880-08/09 | 329324X | 329777X | Air Shift - Special Kit |

This new designed shifter will go into production at Chelsea the month of July 2012

Also included with this bulletin is an updated 880 & 941 Series parts list.

If you have questions about this bulletin or other technical questions, contact us at:

US: Chelsea Customer/Technical Services at **1-888-PH4-TRUK** (1-888-744-8785) or Fax 662.895.1069

Canada: Parker Canada Division 905-693-3020

Europe: Chelsea UK +44 (01384) 2822777



Walt Harris
Product Sales Manager
Chelsea Products

Incl: HY25-2880-M1/US & HY25-2941-M1/US

NOTE: Additional copies of the parts lists can be obtained from the Chelsea Print On Demand (POD) web site: www.tgidirect.com/chelseapod.