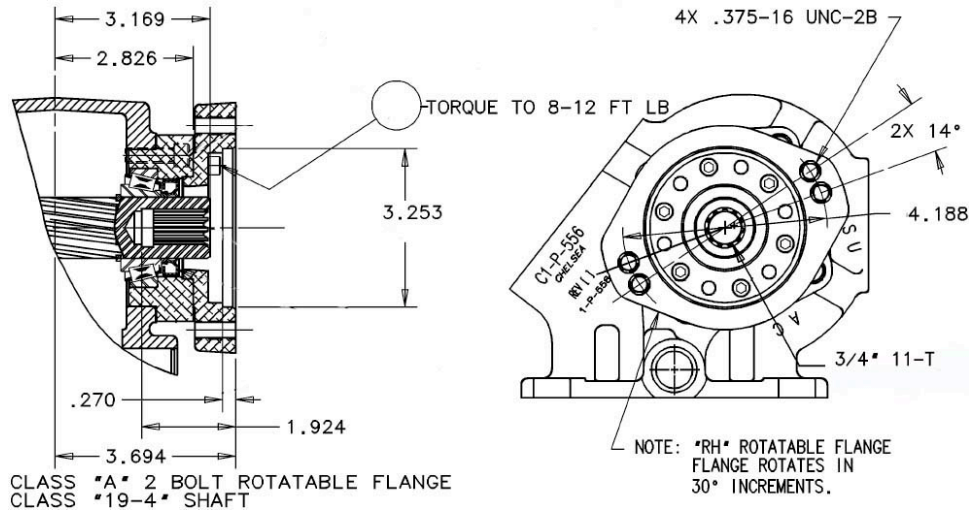


Correction to PTO-PNI-205 dated 10/31/08



Chelsea Bulletin PTO-PNI-205 dated October 31, 2008 announced the release of a new output option for the 442/489 & 660/680 Series of 6-Bolt mechanical shift Power Take-Offs (P.T.O.s). In the bulletin the incorrect pumps were listed for this option. Below are the correct pump options that will fit this new option. Please replace the bulletin dated 10/31/08 with corrected version dated 11/15/08.

The new "RH" output option is available for the 442/489 & 660/680 Series Power Take-Offs.

The "RH" rotatable SAE 2 Bolt flange and a 3/4" – 11 tooth shaft options provides you a way around virtually any tight installation problem with the ability to rotate the pump to 12 possible positions. This new flange design will eliminate mounting hassles for pumps like the Parker Commercial P11 pumps that are in inventory at Chelsea.

- **CGP-P11A016-5AC**
- **CGP-P11A037-5AC**
- **CGP-P11A055-5AC**
- **CGP-P11A082-5AC**
- **CGP-P11A026-5AC**
- **CGP-P11A042-5AC**
- **CGP-P11A071-5AC**
- **CGP-P11A061-5AC**

Field conversion kit for converting from an "XD" to the "RH" flange option is Chelsea part number 328591-151X. If you have questions about this bulletin or other technical questions, contact us at:

US: Chelsea Customer Services at 662-895-1052
Canada: Parker Hannifin Canada, Motion & Controls Division 905-693-3020

Walt Harris
Product Sales Manager
Chelsea Products