

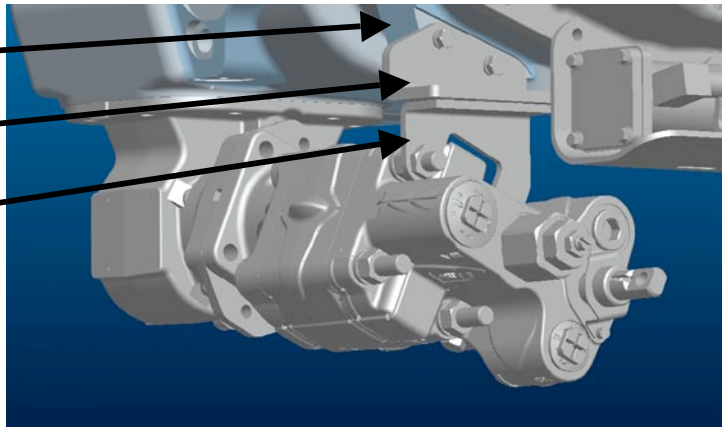
Eaton Fuller Hydraulic Pump Support

- Eaton Fuller has added a pump support mounting (#1) location for hydraulic pumps to their transmission case for bottom mount Power Take-Offs (P.T.O.) with direct mount pumps. There are two mounting holes 3/8" – 16 UNC for the pump bracket.
- Fuller will provide as standard on all UltraShift *PLUS* vocational models (-VCS) (-VMS) and (-VXP) a dump pump bracket (#2 Top Half) (Eaton Part# 4306528) for the bottom 8-Bolt opening and optional on all other Fuller UltraShift *PLUS* models (-LAS) (-MHP) and (-MXP).
- Installer will need to fabricate the lower portion (#3) or a complete bracket assembly for pump installation. This will permit the installer to attach the pump with a support and not remove any other fasteners from the transmission for mounting purposes.

1. Pump Support

2. Eaton# 4306528

3. Lower Pump Bracket



- See back side of bulletin for direct mount support recommendations or Chelsea Owner's/ Installation manual for your P.T.O.

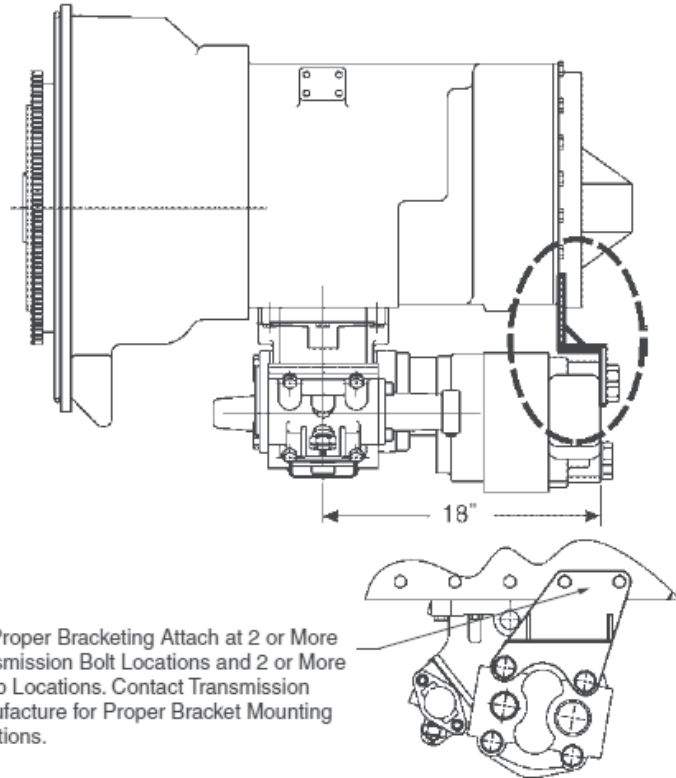
If you have questions about this bulletin or other technical questions, contact us at:

US: Chelsea Customer/Technical Services at **1-888-PH4-TRUK** (1-888-744-8785)
Canada: Parker Hannifin Canada, Motion & Controls Division 905-693-3020

Walt Harris
Product Sales Manager
Chelsea Products

OVER

Direct Mount Pump Support Recommendations



NOTE: For Proper Bracketing Attach at 2 or More Transmission Bolt Locations and 2 or More Pump Locations. Contact Transmission Manufacture for Proper Bracket Mounting Locations.



Use caution to ensure that bracket does not pre-load pump/P.T.O. mounting

Chelsea strongly recommends the use of pump supports (Support Brackets) in all applications.

P.T.O. warranty will be void if a pump bracket is not used when:

- 1) The combined weight of pump, fittings and hose exceed **40 pounds** [18.14 kg].
- 2) The combined length of the P.T.O. and pump is **18 inches** [45.72 cm] or more from the P.T.O. centerline to the end of the pump.

ALSO: Remember to pack the female pilot of the P.T.O. pump shaft with grease before installing the pump on the P.T.O. (reference Chelsea grease pack 379688)