

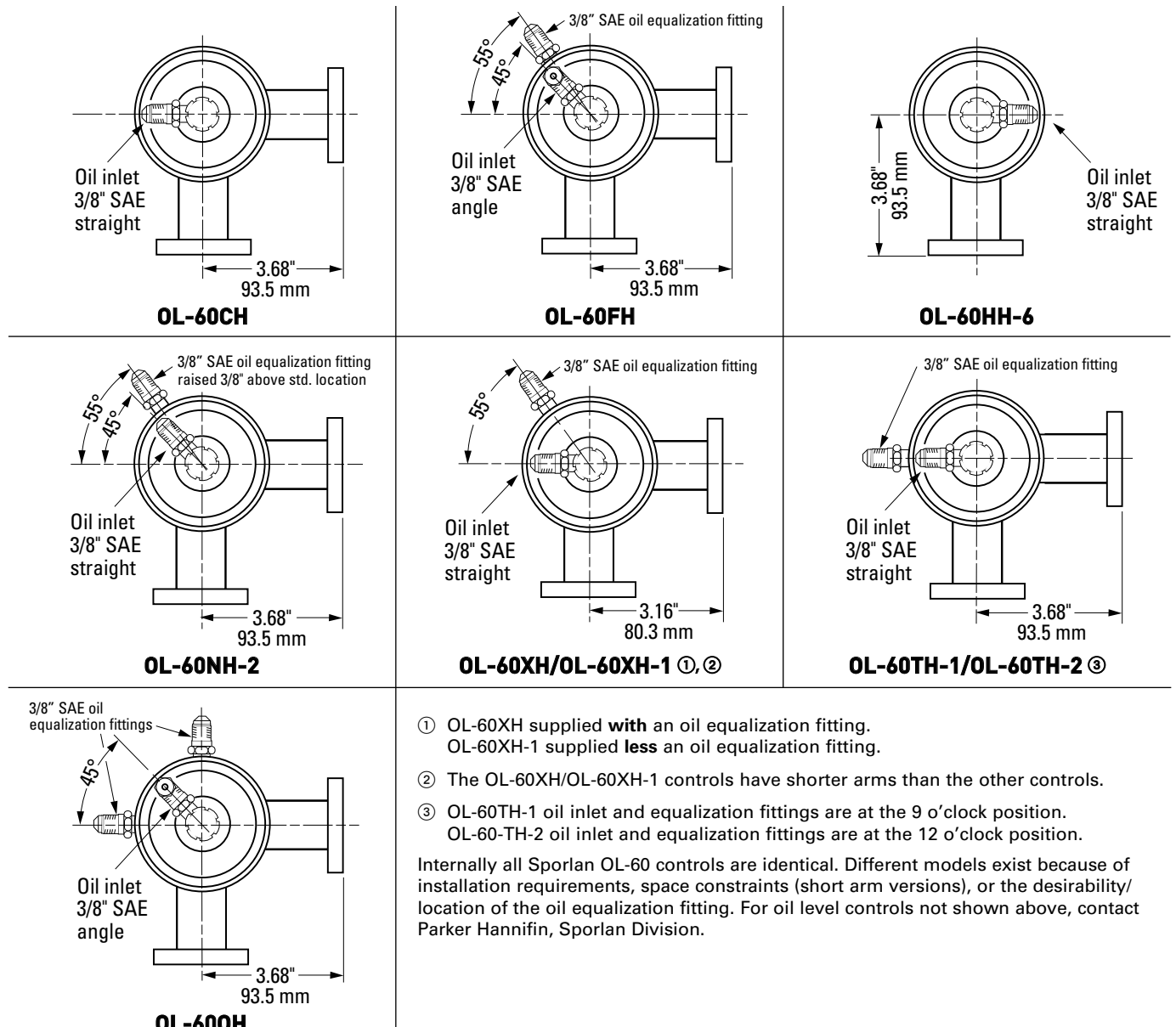
# Oil Level Controls

Bulletin 310-10-1, December 2015



## OIL LEVEL CONTROL MODELS

All controls have 7 bolt universal flanges; 3 bolt configuration has a 1.867 inch (47.60 mm) bolt center, 4 bolt configuration has a 1.97 inch (50.03 mm) bolt center.



ENGINEERING YOUR SUCCESS.

## COMPETITOR CROSS REFERENCE

AC&R MODEL NUMBER	FLANGE DESIGN	SPORLAN MODEL NUMBER
S-9010	3 bolt	OL-60FH or OL-60XH
S-9010A	4 bolt	OL-60XH
S-9090	3 bolt	OL-60XH
S-9090A	4 bolt	OL-60XH
S-9110	3 bolt	OL-60FH or OL-60XH
S-9120	3 bolt	OL-60FH or OL-60XH
S-9130	3 bolt	OL-60FH or OL-60XH
S-9190	3 bolt	OL-60FH or OL-60XH

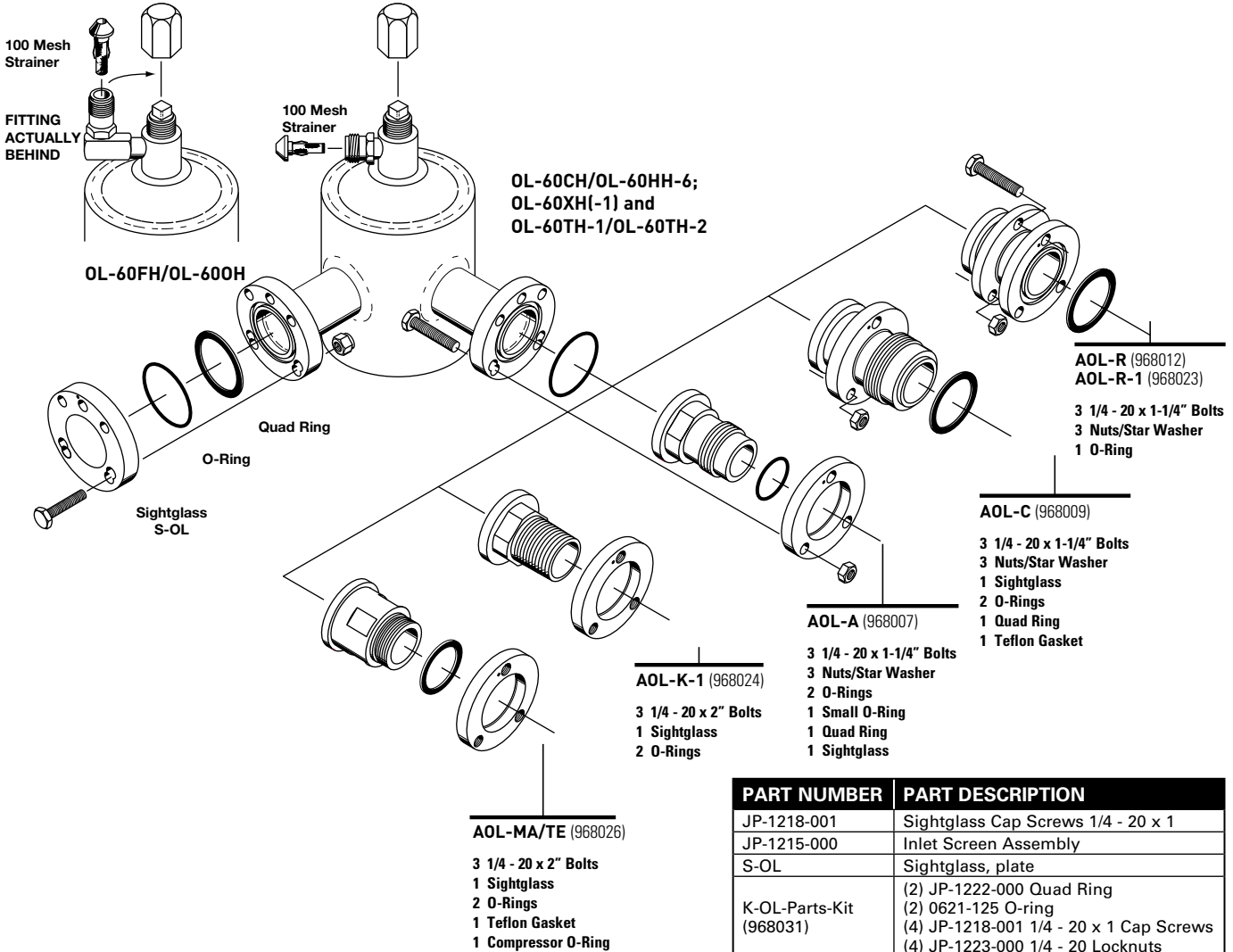
**Notes:** Review the dimensional and oil inlet fitting configuration differences between the OL-60FH and OL-60XH controls. The OL-60XH has virtually the same dimensions as the AC&R controls. The oil inlet fitting on some of the AC&R controls point up whereas the oil inlet fitting on the OL-60XH points out. Often a slight change to the oil line will remedy this variance.

The oil inlet fitting points up on the OL-60FH. However, the arms of the control are 1/2 inch longer than the arms on the OL-60XH control. In applications where ample room exists, the OL-60FH is another option.

If the oil equalization fitting is not required on the Sporlan model, simply cap the fitting.

Sporlan oil level controls include a 100 mesh inlet screen whereas the AC&R controls do not.

## OIL LEVEL CONTROL ADAPTOR KITS



PART NUMBER	PART DESCRIPTION
JP-1218-001	Sightglass Cap Screws 1/4 - 20 x 1
JP-1215-000	Inlet Screen Assembly
S-OL	Sightglass, plate
K-OL-Parts-Kit (968031)	(2) JP-1222-000 Quad Ring
	(2) 0621-125 O-ring
	(4) JP-1218-001 1/4 - 20 x 1 Cap Screws
	(4) JP-1223-000 1/4 - 20 Locknuts
K-OL-Seal-Kit (968029)	(1) 0621-024 O-ring
	(1) 0621-118 O-ring
	(3) 0621-125 O-ring
	(1) JP-1222-000 Quad Ring
	(1) JP-0745-000 Seal Ring
	(1) 4238-000 Seal Ring

**NOTE:** Mechanical oil level control not recommended for scroll compressors.

Parker Hannifin Corporation  
**Sporlan Division**  
 206 Lange Drive • Washington, MO 63090 USA  
 phone 636 239 1111  
 fax 636 239 9130  
 www.sporlan.com

