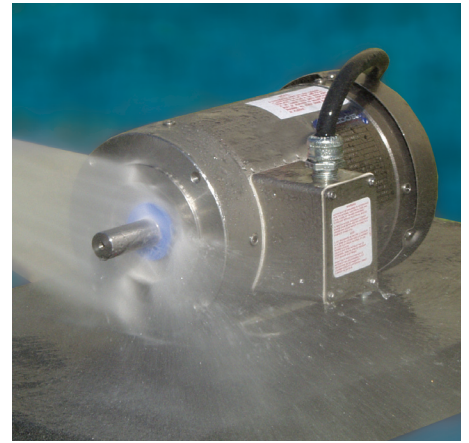


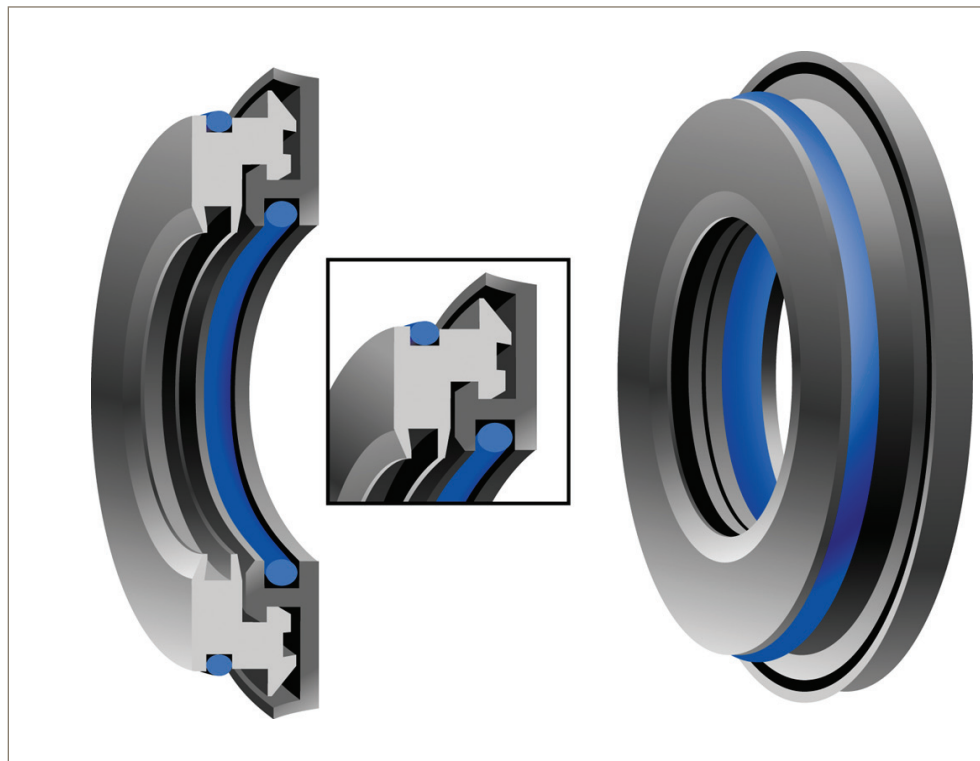
# ProTech™ WD

Superior bearing protection for wash down motors



## Innovative design provides 100% exclusion

Parker's Hannifin's innovative ProTech WD provides superior bearing protection on wash down motors, making it ideal for food processing applications. The WD Profile is rated to deliver the highest level of exclusion against high-pressure water spray and dust, per IP69K from the International Electromechanical Commission (IEC), specification 60034-5. Its proprietary labyrinth design outperforms and outlasts isolators that rely on a single internal O-ring for sealing.



## Contact Information:

Parker Hannifin Corporation  
**Engineered Polymer Systems Division**  
2220 South 3600 West  
Salt Lake City, UT 84119

phone 801 972 3000  
Toll-Free 800 233 3900  
eps\_ccare@parker.com

[www.parker.com/eps](http://www.parker.com/eps)

## Product Features:

- Designed to meet wash down requirements of the food industry
- Multi-positional design for sealing regardless of installed motor position
- Non-contact design means seal will not wear out
- Unitized construction provides one-piece cartridge installation
- Food Grade and anti-microbial material available per ASTM JIS Z2801 testing
- Meets IP-56, IP-66 and IP69K testing for dust and water exclusion



ENGINEERING YOUR SUCCESS.

# ProTech™ WD Profile

## Best solution for food processing applications

ProTech's unique designs and superior performance are eating the competitor's lunch in the food processing market. From economical designs for high volume disposal equipment such as wash down grade motors and drives to picker hubs. ProTech adds value by decreasing down time common with wash down applications.

## Equipment

ProTech WD is ideal for small disposable motors and equipment for food processing industry, economical price for 140 & 180 frame 841 motors and other high volume OEM equipment requiring wash down protection where cost to upgrading the seal has been a deterrent.

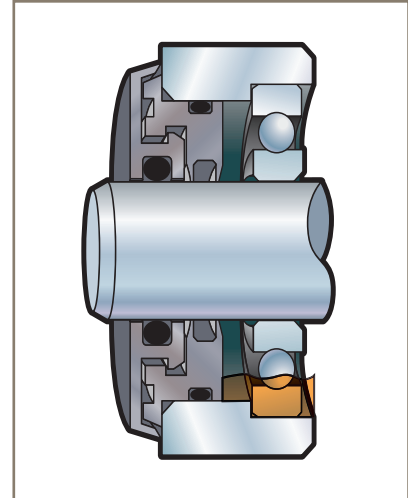
## Quality

ProTech bearing isolators are manufactured under tight control of the entire process -- from raw materials to finished product. The highest quality and absolute consistency from lot to lot are assured by:

- Use of only first-grade PTFE resins
- Our sophisticated system for controlling the critical sintering process
- Specialized CNC production equipment

## ProTech Materials

ProTech's standard reinforced PTFE construction provides a wide range of operating capabilities including high or low temperatures and extreme chemical environments. The addition of other PTFE fillers extends the capability to special



ProTech™ WD  
Wash Down Motor Design

designs requiring large diameters, and/or applications demanding enhanced physical properties such as food grade and FDA materials required for food service.

STANDARD OPERATING PARAMETERS	
Total Eccentricity	.020" (.51mm)
Shaft Speed	Up to 5,000 fpm
Pressure	0 psi
Temp. Range	-40 to +250 F (-40 to +121 C)
Axial Movement	.020" (special designs up to .070")
SEAL MATERIAL	Proprietary PTFE (standard)
Optional	Food Grade & Anti Microbial
O-RING MATERIAL	FKM

LUBRICATION				
	Position	Grease	Oil	Dry
Horizontal	Y	Y	N	Y
Vertical Up	Y	Y	N	Y
Vertical Down	N	Y	N	Y
RETAIN	Grease and oil splash (oil level must be below shaft)			
EXCLUDE	Heavy water spray & dry contaminates from bearing cavity			

