

HIL Filter Housings

- industrial liquid

- Industrial liquid housing for prefiltration and clarification duties
- STANDARD product
 - BSP (G) or NPT connections and standard finish
- PLUS product
 - Available in 3 different vessel classes: Standard (CE), Atex & High Pressure
 - Standard and electropolished surface finishes available
 - A number of inlet / outlet port connections
 - Choice of BSP, NPT or no vent
 - Choice of BSP or NPT drain
 - Option of C (226) location and fabricated (not cast) head



Specification

STANDARD Range Materials of Construction

- Housing: Cast Head - Stainless Steel
Bowl - 316L Stainless Steel
- Seals: EPDM FDA
- Clamps: 304 Stainless Steel

Surface Finish

- Internal: As Welded
 - External: Polished 0.8 µm Ra (32 µln Ra)
- All finishes pickled & passivated.*

PLUS Range Materials of Construction

- Housing: Cast Head - Stainless Steel
Bowl - 316L Stainless Steel
- Seals: EPDM FDA
PTFE FDA
Silicone FDA
Viton FDA
- Clamps: 304 Stainless Steel

Surface Finish Two Finished Available:

- Standard Finish
 - Head-Cast, Pickled & Passivated
 - Bowl Internal: As Welded
Pickled & Passivated
 - Bowl External: Polished 0.8 µm Ra (32 µln Ra)
- Standard Electropolished Finish
 - Head-Cast, Pickled & Passivated
 - Bowl Internal: Electropolished
 - Bowl External: Polished 0.8 µm Ra (32 µln Ra)

Welding

All assembly welds are full penetration.
All welds are crevice and undercut free.
Weld finish & detail drawings available upon request.

Certification

Supplied as standard with vessel inspection certificate.

Material Test Certification

EN10204 3.1 supplied upon request.

Design Code

Housings designed in accordance with the European Council Pressure Equipment Directive (PED) 97/23/EC and the UK statutory Pressure Equipment Regulations (PER) 1999 N° 2001.

PED / PER conformity assessments based on Fluid Group 2 Gas (harmless) including steam. Only housings over PS.V 50 bar / litres bear the CE mark.

Design Basis

ASME VIII Division 1.

STANDARD Range

Working Condition PED 97/23/EC			Maximum Pressure		
Fluid Group	State	Temperature	011	012	013
Non Dangerous	Liquid / Gas	150 °C (302 °F)	10.00 barg (145.03 psig)	10.00 barg (145.03 psig)	10.00 barg (145.03 psig)
Dangerous	Liquid / Gas	150 °C (302 °F)	5.00 barg (72.51 psig)	5.00 barg (72.51 psig)	5.00 barg (72.51 psig)
PED Conformity Assessment Category			SEP	CAT I	CAT I
Volume (litres)			3.2	5.1	7.0

PLUS Range

CE Working Condition PED 97/23/EC			Maximum Pressure			
Fluid Group	State	Temperature	011	012	013	014
Non Dangerous	Gas / Vapour	150 °C (302 °F)	10.00 barg (145.03 psig)	10.00 barg (145.03 psig)	10.00 barg (145.03 psig)	10.00 barg (145.03 psig)
Dangerous	Gas / Vapour	150 °C (302 °F)	5.00 barg (72.51 psig)	5.00 barg (72.51 psig)	5.00 barg (72.51 psig)	5.00 barg (72.51 psig)
Non Dangerous	Liquid	150 °C (302 °F)	10.00 barg (145.03 psig)	10.00 barg (145.03 psig)	10.00 barg (145.03 psig)	10.00 barg (145.03 psig)
Dangerous	Liquid	150 °C (302 °F)	5.00 barg (72.51 psig)	5.00 barg (72.51 psig)	5.00 barg (72.51 psig)	5.00 barg (72.51 psig)
PED Conformity Assessment Category			SEP	CAT I	CAT I	CAT I
Volume (litres)			3.2	5.1	7.0	8.9

ATEX Working Condition PED 97/23/EC			Maximum Pressure			
Fluid Group	State	Temperature	011	012	013	014
Non Dangerous	Gas / Vapour	135 °C (275 °F)	10.00 barg (145.03 psig)	10.00 barg (145.03 psig)	10.00 barg (145.03 psig)	10.00 barg (145.03 psig)
Dangerous	Gas / Vapour	135 °C (275 °F)	5.00 barg (72.51 psig)	5.00 barg (72.51 psig)	5.00 barg (72.51 psig)	5.00 barg (72.51 psig)
Non Dangerous	Liquid	135 °C (275 °F)	10.00 barg (145.03 psig)	10.00 barg (145.03 psig)	10.00 barg (145.03 psig)	10.00 barg (145.03 psig)
Dangerous	Liquid	135 °C (275 °F)	5.00 barg (72.51 psig)	5.00 barg (72.51 psig)	5.00 barg (72.51 psig)	5.00 barg (72.51 psig)
PED Conformity Assessment Category			SEP	CAT I	CAT I	CAT I
Volume (litres)			3.2	5.1	7.0	8.9

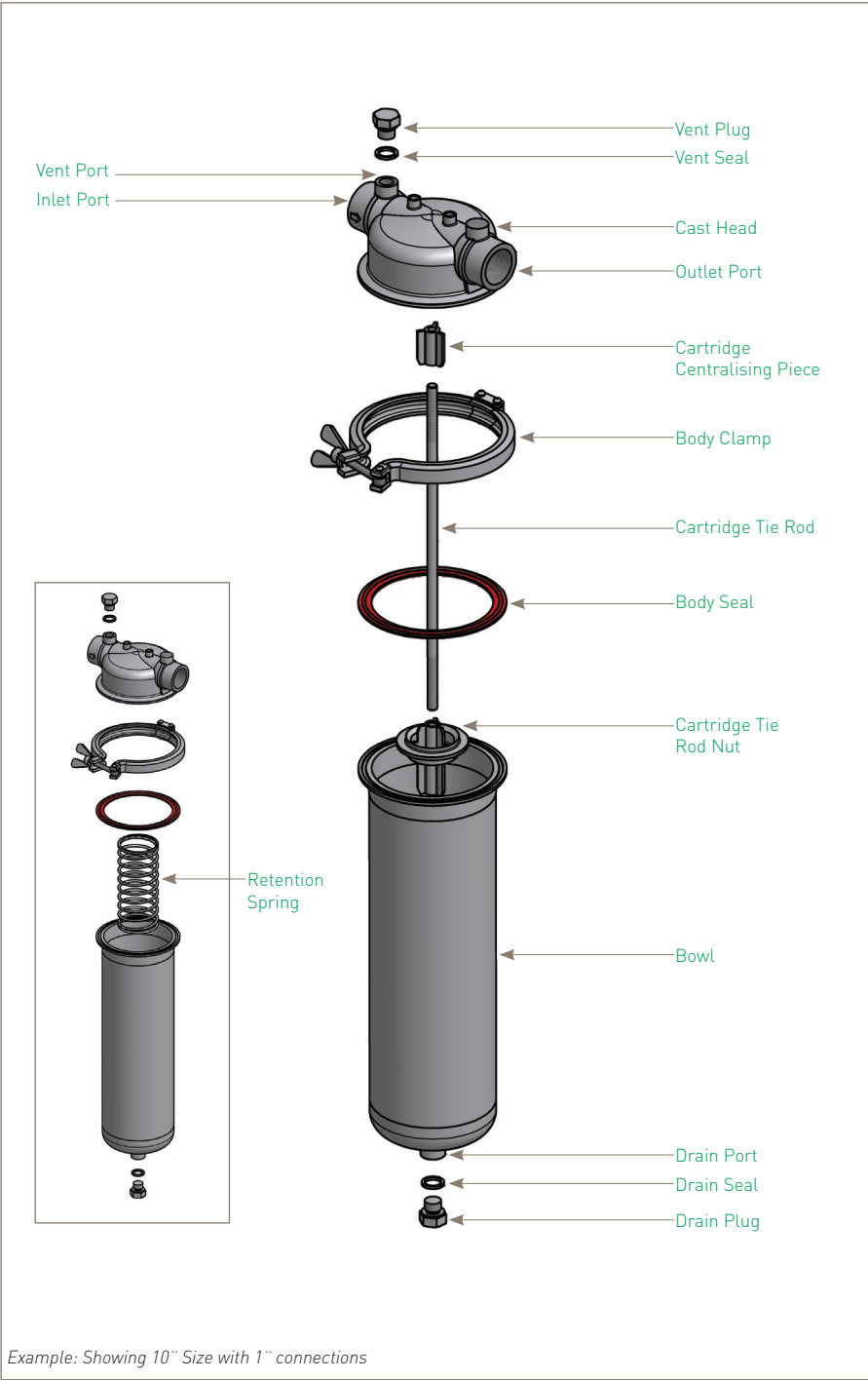
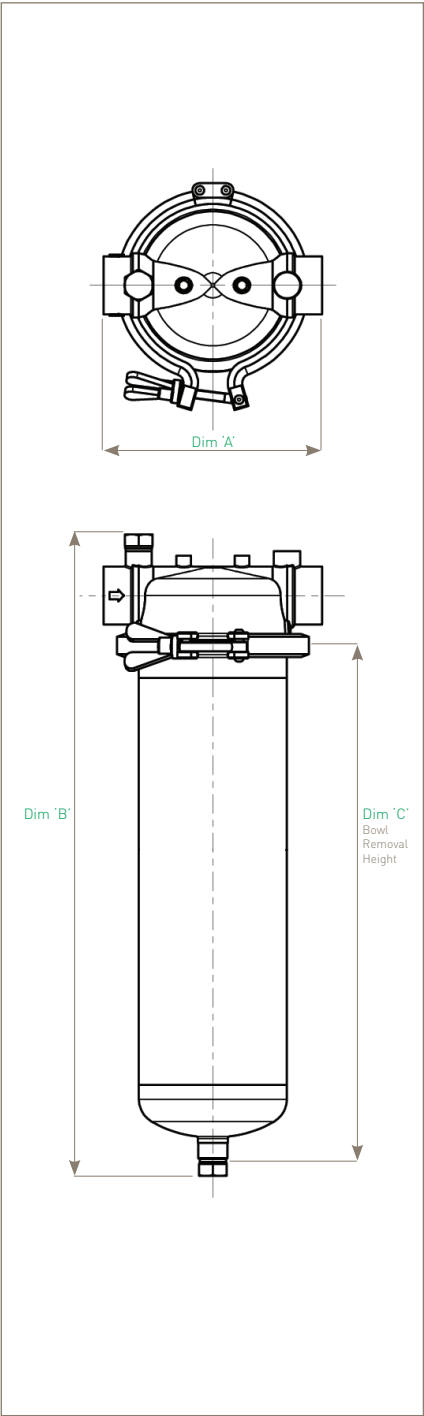
High Pressure Working Condition PED 97/23/EC			Maximum Pressure			
Fluid Group	State	Temperature	011	012	013	014
Non Dangerous	Gas / Vapour / Liquid	205 °C (401 °F)	16.00 barg (232.06 psig)	16.00 barg (232.06 psig)	16.00 barg (232.06 psig)	16.00 barg (232.06 psig)
PED Conformity Assessment Category			CAT I	CAT I	CAT I	CAT I
Volume (litres)			3.2	5.1	7.0	8.9

Note: All housings are fully vacuum rated.

Physical Characteristics

Bowl Height	Dimensions (mm)			Typical Weight		
	'A'	'B'	'C'	Bowl	Head	Total
250 mm (10")	150 mm [5.9"]	441 mm [17.4"]	297 mm [11.7"]	1.5 Kg [3.3 lbs]	1.2 Kg [2.6 lbs]	3.8 Kg [8.4 lbs]
500 mm (20")	150 mm [5.9"]	691 mm [27.2"]	550 mm [21.7"]	2.5 Kg [5.5 lbs]	1.2 Kg [2.6 lbs]	4.9 Kg [10.8 lbs]
750 mm (30")	150 mm [5.9"]	936 mm [26.9"]	814 mm [32.0"]	3.5 Kg [7.7 lbs]	1.2 Kg [2.6 lbs]	6.0 Kg [13.2 lbs]

Dimensions shown are based on the STANDARD range. For accurate dimensions, please contact Parker dornick hunter.



Example: Showing 10" Size with 1" connections

The PLUS product range is available with many options of connections, vents, drains, surface finish, seals classification, etc. Please see product coding.

STANDARD Range - 10" to 30"

HIL [] 01 [] [] [] - [] - []

Code Vessel Class	Code Length (Nominal)	Code Connection Size	Code Standard	Code Cartridge	Code Seal
CE Standard	1 10" (250 mm) 2 20" (500 mm) 3 30" (750 mm)	B 1" (25.4 mm)	B BSPP N NPT	B DOE D 222	E EPDM

PLUS Range - 10" to 40"

HIL [] 01 [] [] [] [] [] [] - [] [] - [] []

Code Vessel Class	Code Length (Nominal)	Code Connection Size	Code Standard	Code Cartridge	Code Seal	Code Vent	Code Drain
CE Standard AT ATEX HP* High Pressure	1 10" (250 mm) 2 20" (500 mm) 3 30" (750 mm) 4 40" (1000 mm)	B 1" (25.4 mm) Y 1 1/2" (38.1 mm)	B* BSPP (F) F ANSI RF150 ⁽¹⁾ H ANSI RF 300 L BS4504 DIN2633 N* NPT (F) T*° Tri-clamp	B DOE C 226 (Fabricated Head) D 222	E EPDM P* PTFE S Silicone V Viton	B 1/4" BSPP N 1/4" NPT X° No Vent	B 1/4" BSPP (G1/4") N 1/4" NPT
* Supplied complete with a double bolted clamp		* Only available in 1" connection ⁽¹⁾ Not suited for High Pressure Vessels. HP Vessels to use ANSI RF-300		* Double bolted clamp required		* Only available with 'C' Style cartridge configuration	
				Code Surface Finish	Internal External		
				E Standard Electropolished I Standard	Electropolished As Welded	0.8 µm 0.8 µm	
							Code Tagged
							T Yes X No

For Tagged Options customer identification numbers required at time of ordering

