



SBA Accumulator Safety Blocks

For working pressures up to 350 Bar

aerospace
climate control
electromechanical
filtration
fluid & gas handling
hydraulics
pneumatics
process control
sealing & shielding



ENGINEERING YOUR SUCCESS.

Introduction

SBA Safety Blocks

Parker's range of SBA safety blocks is available in NG10, NG20 and NG32 sizes. SBA safety blocks combine all the features required to protect, isolate and discharge a hydraulic accumulator. The shut-off valve turns through 90° to isolate the accumulator instantly from the hydraulic system, in emergency or for maintenance purposes. Once isolated, the accumulator can be discharged to tank via a manual or electrically-controlled discharge valve. System protection is provided by a PED-approved, tamper-proof pressure relief valve.

SBA safety blocks permit safe, simple connection of an accumulator to a hydraulic system. Suitable for use with all types of accumulators – bladder, piston and diaphragm – their compact, multi-function design saves space and reduces connections. By cutting the time required for installation and maintenance procedures, SBA safety blocks enable productivity and profitability to be maximised while system downtime is kept to a minimum. To simplify installation, a full range of adapters is available to suit all common port sizes and styles. For diagnostic purposes and continuous pressure monitoring, all SBA safety blocks feature two maintenance ports.

The European Pressure Equipment Directive (PED) 97/23/EC states that a safety device must be fitted to all accumulators to provide a shut-off facility, pressure limiting and pressure release functions, and measurement points. Parker's SBA range fulfils all of these requirements in a single, compact unit.

The safety block should always be mounted as close as possible to the accumulator. Commissioning and maintenance of the safety block and associated equipment must be performed by qualified personnel.

A Complete Range of Accumulators

High Productivity – Low Cost of Ownership

Parker Hannifin offers a full range of piston, bladder and diaphragm accumulators for industrial applications. From miniature diaphragm accumulators for pilot valve operation to multiple large-volume piston accumulator and gas bottle combinations for presses and injection moulding machines, Parker will work with you to maximise the productivity and profitability of your manufacturing systems. All Parker accumulators are designed to deliver long, efficient service with low maintenance requirements, guaranteeing high performance year after year.

About Parker Hannifin

Parker Hannifin is the global leader in motion and control technologies, partnering with its customers to increase their productivity and profitability. The company employs more than 57,000 people in 43 countries around the world, providing customers with technical excellence and first class customer service.

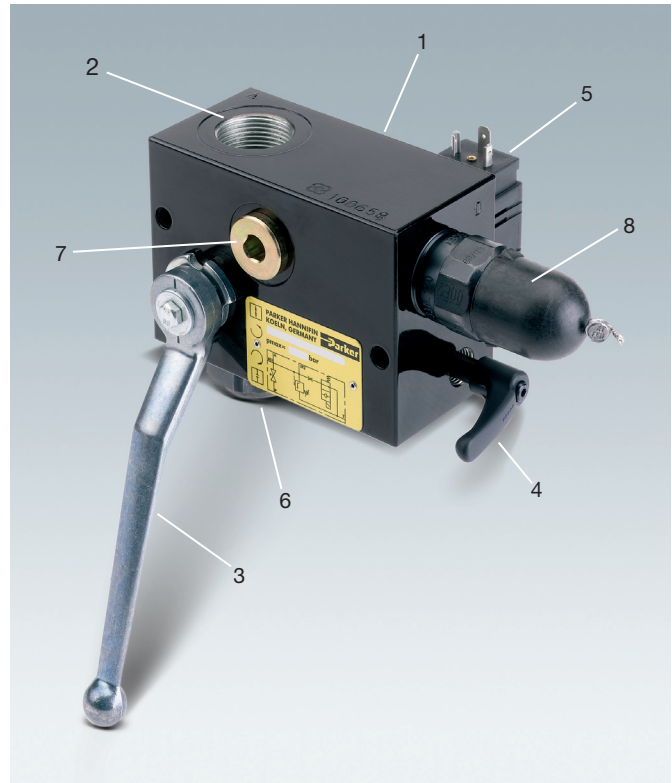
Visit us at www.parker.com

Accumulator Safety Blocks

SBA Series

Contents

	Page
Technical data	3
Flow Data	4
Pressure Relief Valve	4
Manual and Electrical Discharge Valves	4
Model SBA10	5
Model SBA20	7
Model SBA32	9
Adapters	11
How to Order	11



Key Features

- 1 Block
- 2 Accumulator port A
- 3 Shut-off valve
- 4 Manually-operated discharge valve
- 5 Electrically-operated discharge valve (optional)
- 6 Pressure port P
- 7 Maintenance port M1
- 8 Pressure relief valve

Not shown in this view:

- Tank port T
- Maintenance port M2

Technical Data

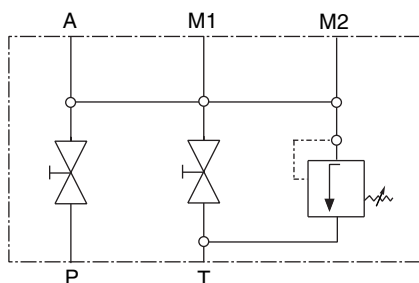
Construction	ball valve
- shut-off valve	poppet-type valve with damping
- pressure relief	poppet-type valve
- manually-operated discharge valve	poppet-type valve (where fitted)
- electrically-operated discharge valve	see table below
Port type	accumulator port A facing upwards
Mounting position	M8 to grade 10.9, max. torque 26 + 4Nm
Mounting screws (not supplied)	-30°C to +80°C
Ambient temperature	350 bar
Max. operating pressure	see table on page 4
Relief flow rate G at p _{nom}	mineral oil according to DIN/ISO. For other fluid types, please contact the factory.
Fluid	-15°C to +80°C
Operating temperature	10 to 800 mm ² /s
Viscosity	see page 4
Δp-Q-graphs	U=24VDC, 105VDC (for 115V/60 Hz AC supply), P=26W, 100% ED, IP 65 to DIN 40050, connector to DIN 43650 type A
Electrical discharge	black zinc phosphated
Finish	Nitrile
Seal material	

Dimensions and Weights

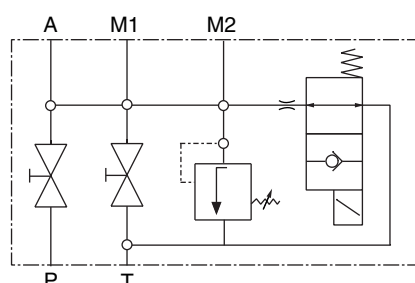
Type	A ¹	P	T	M1	M2	Weight kg	Model Number ²
10M	M33x2	G ¹ / ₂	G ³ / ₈	G ¹ / ₂	G ¹ / ₄	4.4	SBA10MT1 - xxx
10E	M33x2	G ¹ / ₂	G ³ / ₈	G ¹ / ₂	G ¹ / ₄	4.7	SBA10ET1 - xxx
20M	M33x2	G1	G ¹ / ₂	G ¹ / ₂	G ¹ / ₄	6.0	SBA20MT1 - xxx
20E	M33x2	G1	G ¹ / ₂	G ¹ / ₂	G ¹ / ₄	6.5	SBA20ET1 - xxx
32M	Flange	G ¹ / ₂	G1	G ¹ / ₂	G ¹ / ₄	12.0	SBA32MT1 - xxx
32E	Flange	G ¹ / ₂	G1	G ¹ / ₂	G ¹ / ₄	12.6	SBA32ET1 - xxx

¹ A range of adapters is available for accumulator port A – see page 11

² xxx = pressure setting of pressure relief valve – see page 4



SBA Type M
Manually-Operated Discharge Valve



SBA Type E
Manually- and Electrically-Operated Discharge Valves

Warning

FAILURE OR IMPROPER SELECTION OR IMPROPER USE OF THE PRODUCTS AND/OR SYSTEMS DESCRIBED HEREIN OR RELATED ITEMS CAN CAUSE DEATH, PERSONAL INJURY AND PROPERTY DAMAGE.

This document and other information from Parker Hannifin Corporation, its subsidiaries, sales offices and authorized distributors provide product or system options for further investigation by users having technical expertise. Before you select or use any product or system it is important that you analyse all aspects of your application and review the information concerning the product or system in the current product catalogue. Due to the variety of operating conditions and applications for these products or systems, the user, through his own analysis and testing, is solely responsible for making the final selection of the products and systems and assuring that all performance and safety requirements of the application are met.

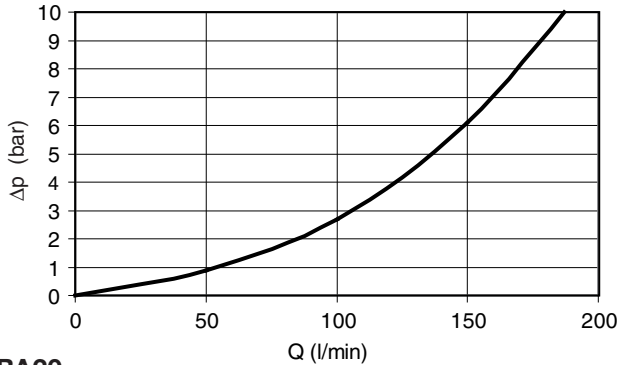
The products described herein, including without limitation, product features, specifications, designs, availability and pricing, are subject to change by Parker Hannifin Corporation and its subsidiaries at any time without notice.

Offer of Sale

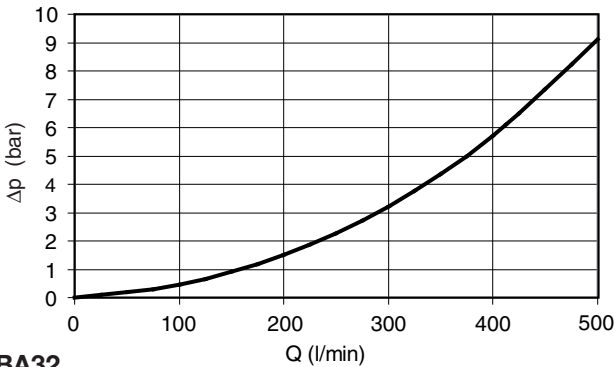
Please contact you local Parker representative for a detailed offer of sale.

Flow – Accumulator (A) to Pressure Port (P)

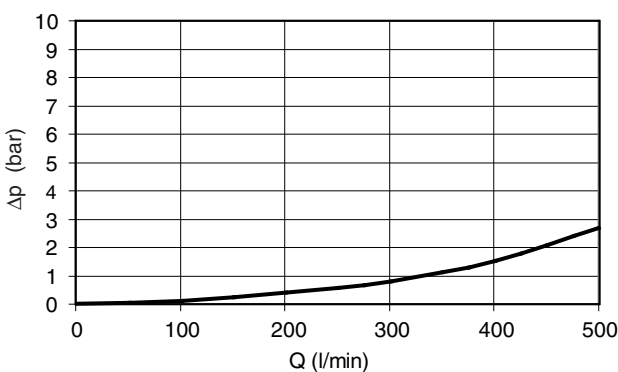
SBA10



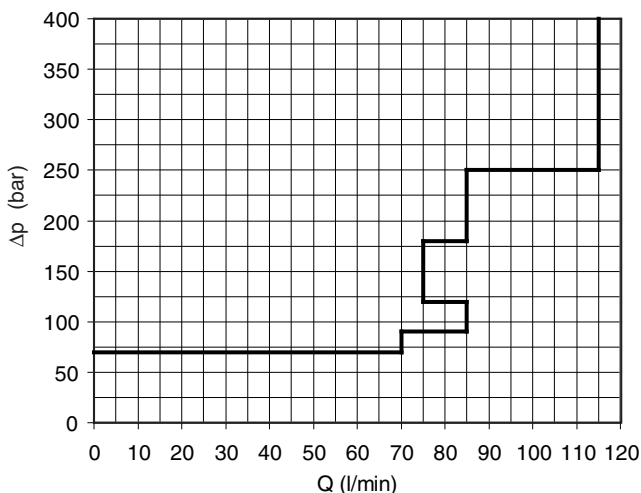
SBA20



SBA32



Flow Limits for Safety Valve SV – All Models



Pressure Relief Valve

The function of the pressure relief valve is to protect the accumulator in service. If pressure exceeds the relief valve setting, the valve lifts off its seat and fluid is discharged to tank, allowing pressure in the system to fall to a safe level.

Pressure Settings

Pressure p bar	Item Number
50	SV050
70	SV070
100	SV100
120	SV120
140	SV140
160	SV160
200	SV200
210	SV210
250	SV250
280	SV280
300	SV300
330	SV330

Because of its cartridge design, the pressure relief valve can be readily replaced by a valve with a different pressure setting, selected from the table. A new approval under PED 97/23/EC is not required following this change. The pre-set relief pressure, in bar, is stamped onto the identification plate.

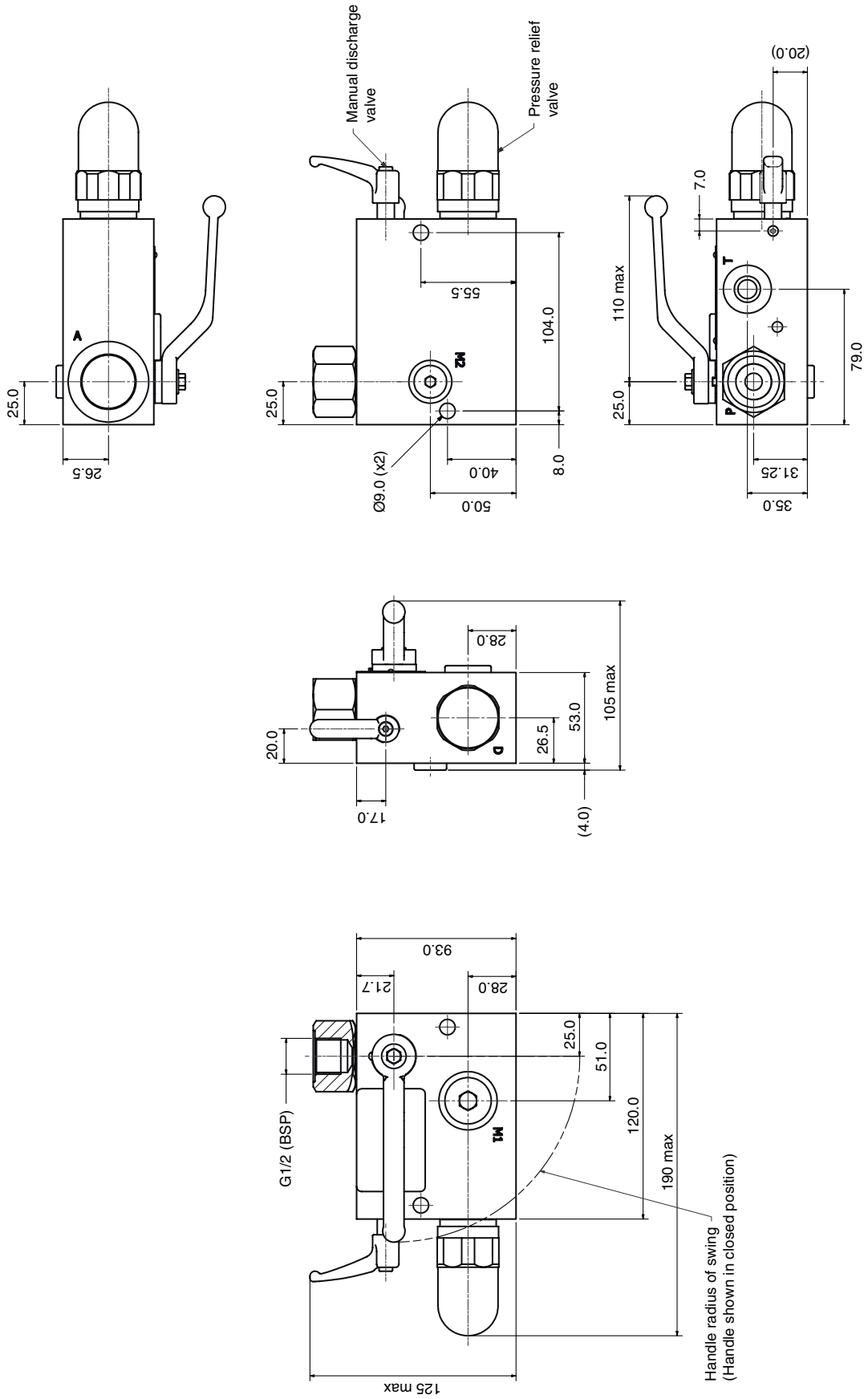
Type Approval

The pressure relief valve is checked and security sealed following approval, according to pressure vessel regulations. It carries a CE mark, type approval number and serial number. All valves are supplied with a certificate showing the pressure setting. The documents supplied with the pressure relief valve must be retained, as they will be required in the event of repeat tests.

Manual and Electrical Discharge Valves

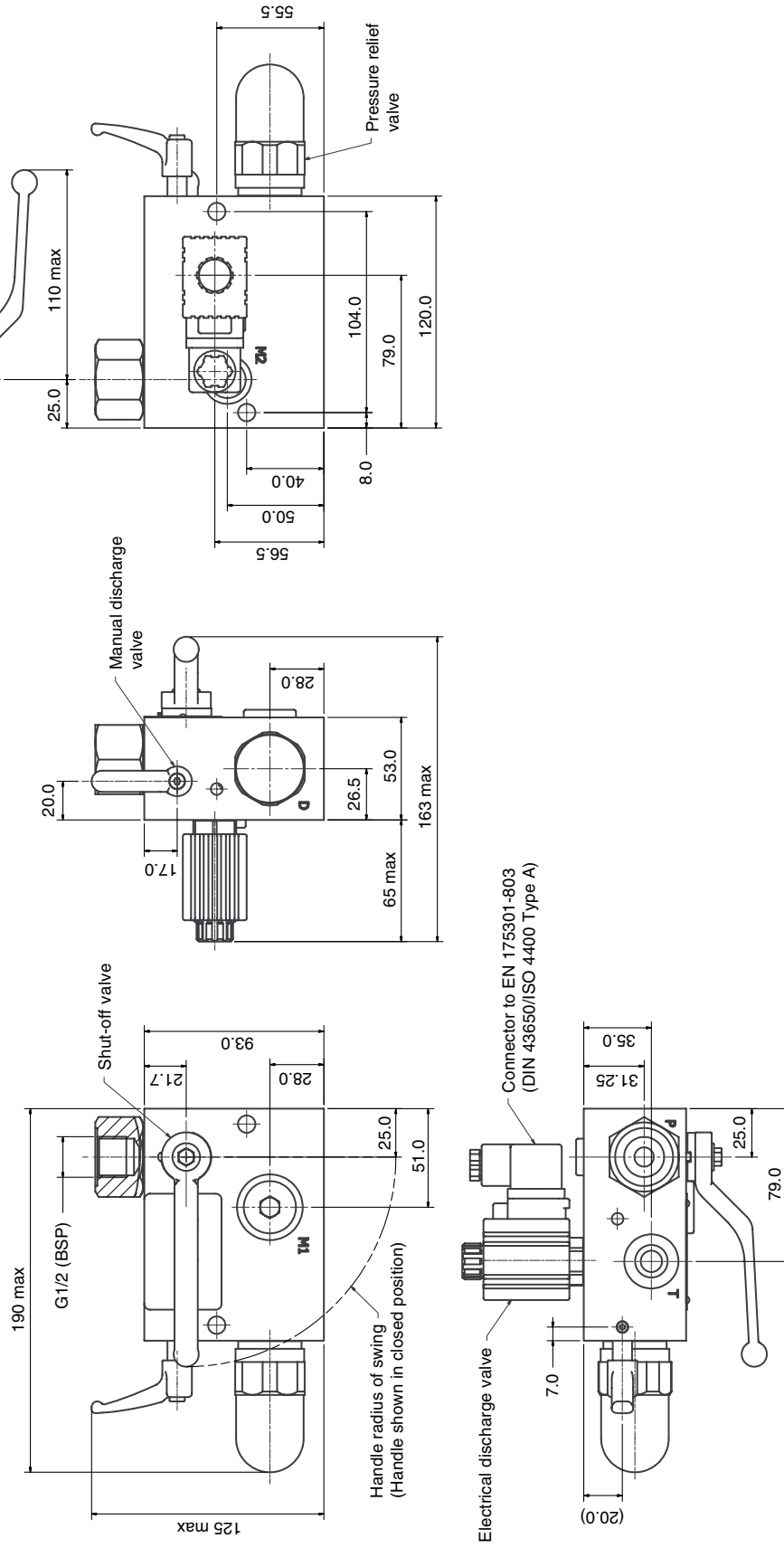
The discharge valve allows fluid stored in the accumulator to be discharged to tank. All models of SBA safety block are fitted with a manually-operated discharge valve. As an optional feature, an electrical discharge valve is available in addition to the manual valve. An electrical discharge valve should be specified where the safety block is to be mounted in a remote or inaccessible location. Manual-only versions of the SBA safety block are denoted by an M in the model code, see page 11, while models with both a manual and an electrical discharge valve are designated E.

Dimensions – SBA10MT1



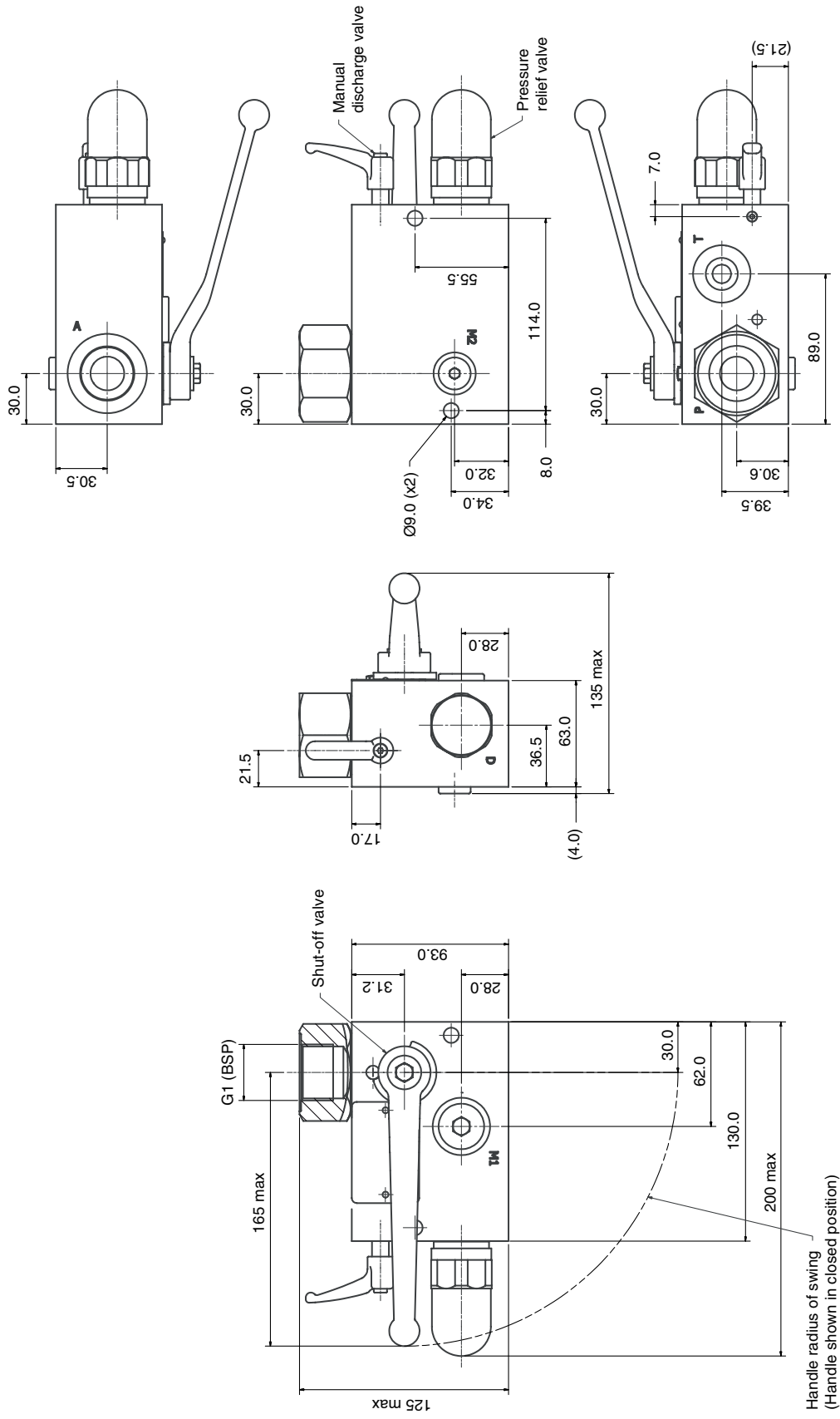
All dimensions are in millimetres unless otherwise stated.

Dimensions – SBA10ET1



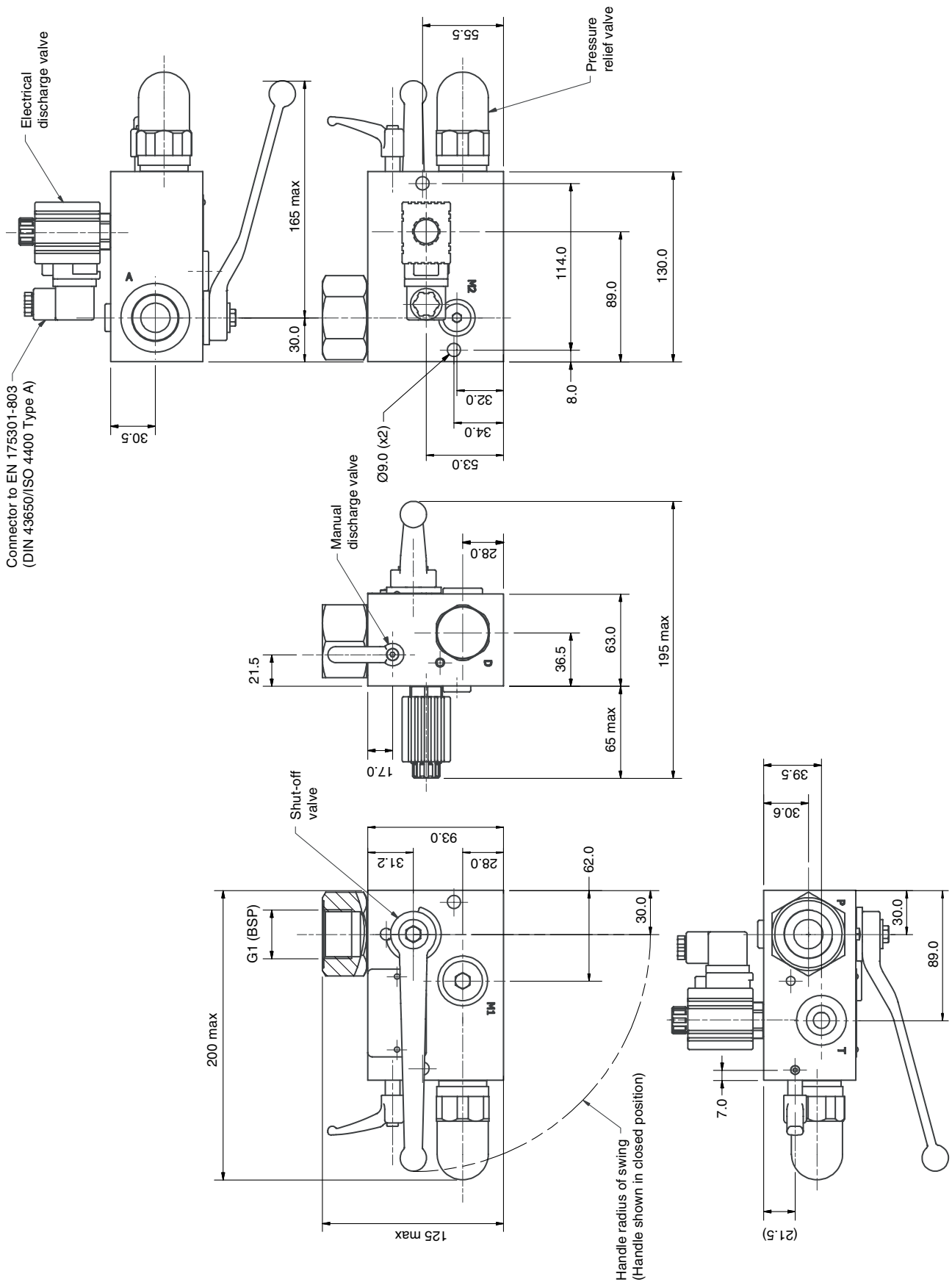
All dimensions are in millimetres unless otherwise stated.

Dimensions – SBA20MT1



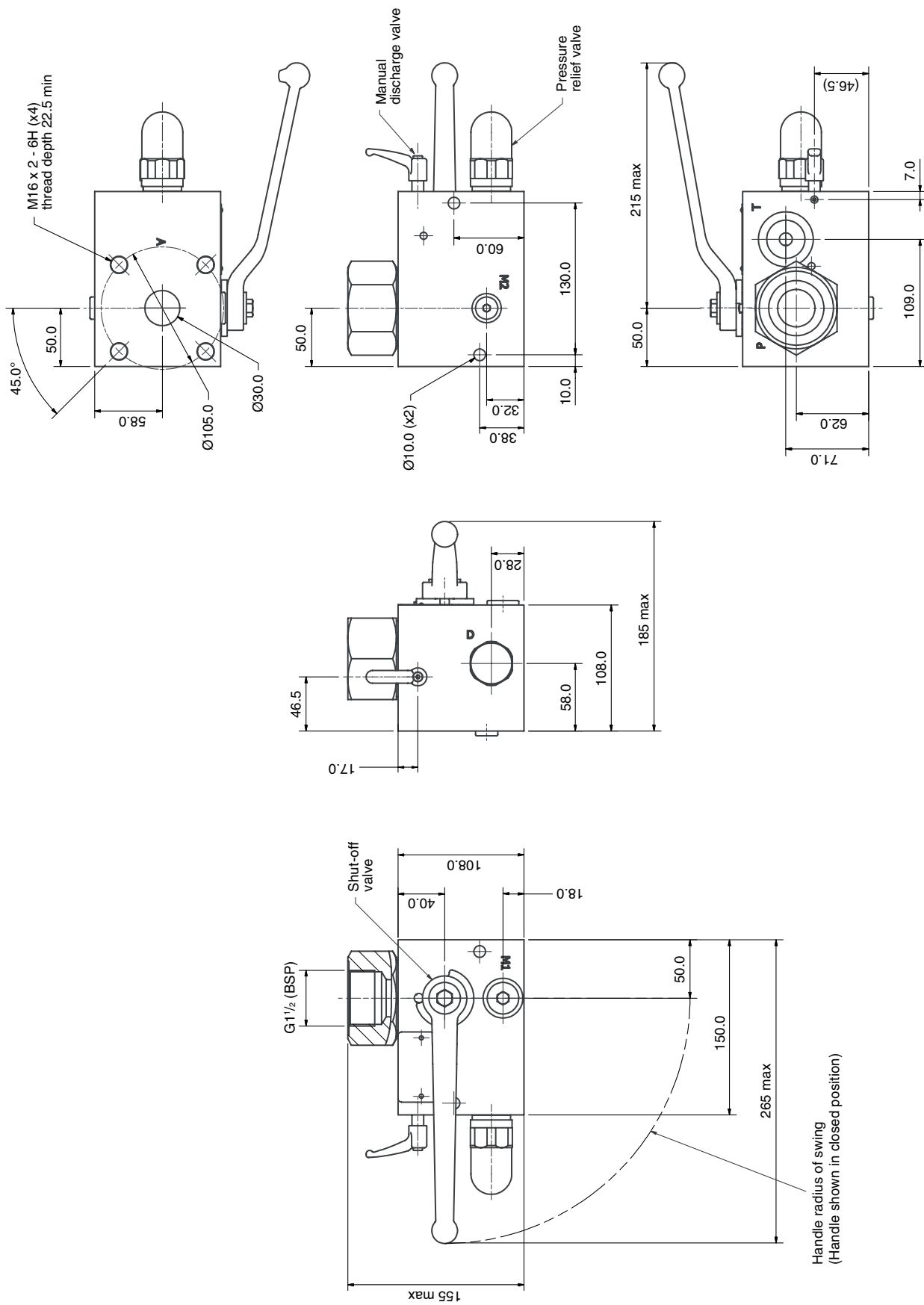
All dimensions are in millimetres unless otherwise stated.

Dimensions – SBA20ET1



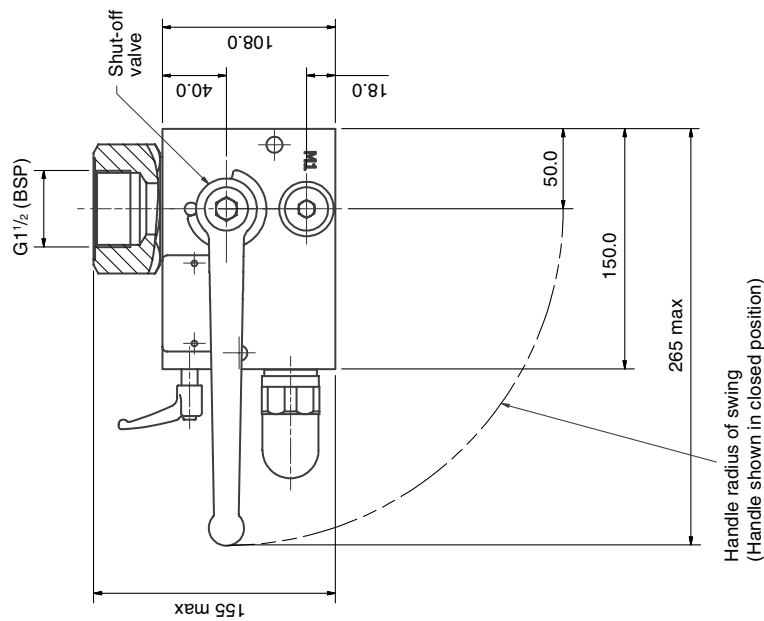
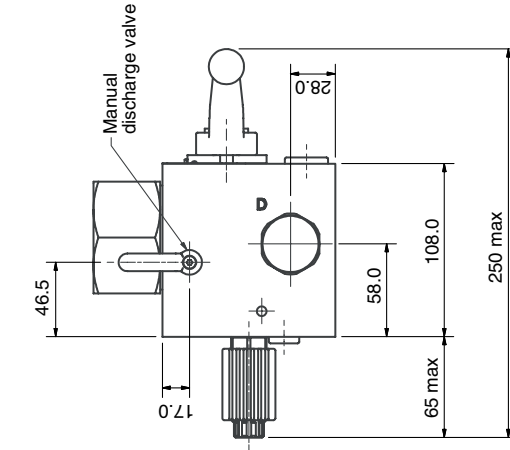
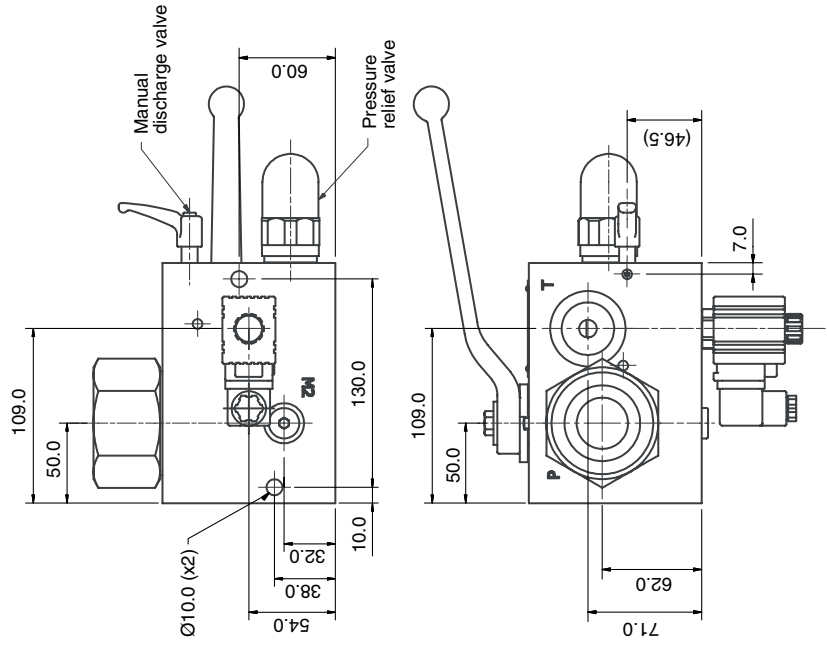
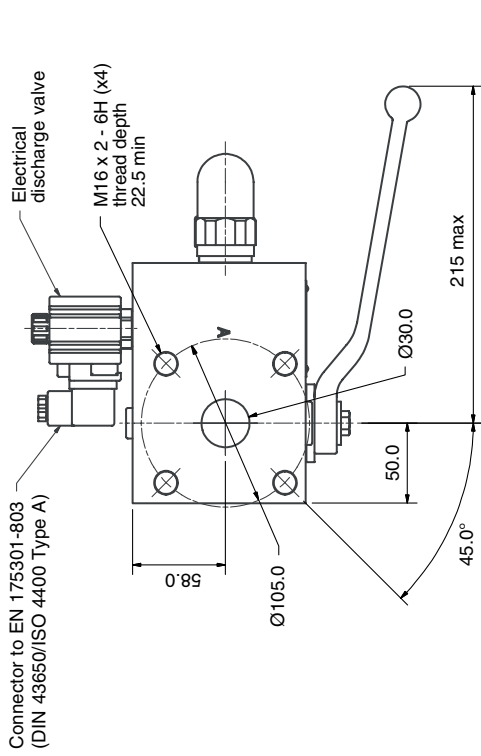
All dimensions are in millimetres unless otherwise stated.

Dimensions – SBA32MT1



All dimensions are in millimetres unless otherwise stated.

Dimensions – SBA32ET1

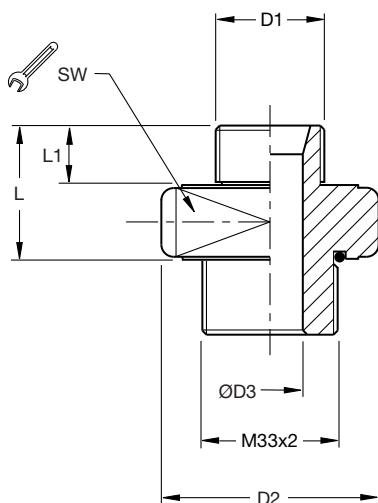


All dimensions are in millimetres unless otherwise stated.

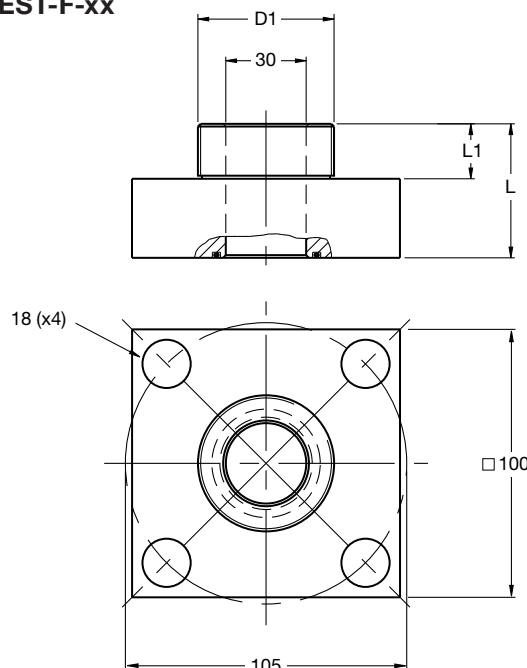
Adapters – Accumulator to Safety Block

Accumulator Fluid Port D1		Safety Block Port A	SW	L	L1	D2	D3	Weight kg	Part Number	Use with SBA	For Accumulator Type		
											Bladder	Diaphragm	Piston
G ^{3/4}	ISO 228	M33 x 2	46	33	16	53	16	0.4	UEST-T- ^{3/4}	10 & 20	X		
G1 ^{1/4}	ISO 228	M33 x 2	55	41	20	63	20	0.4	UEST-T-1 ^{1/4}	10 & 20	X		
G2	ISO 228	M33 x 2	80	46	22	90	20	1.5	UEST-T-2	10 & 20	X		
G2	ISO 228	Flange □100	-	50	22	-	30	2.2	UEST-F-2	32	X		
G ^{1/2}	ISO 228	M33 x 2	46	34	14	53	12	0.4	UEST-T- ^{1/2} ED	10 & 20		X	X
G ^{3/4}	ISO 228	M33 x 2	46	36	16	53	16	0.4	UEST-T- ^{3/4} ED	10 & 20		X	X
G1 ^{1/2}	ISO 228	Flange □100	-	70	22	-	30	2.3	UEST-F-1 ^{1/2}	32			X

Threaded Adapter
UEST-T-xx

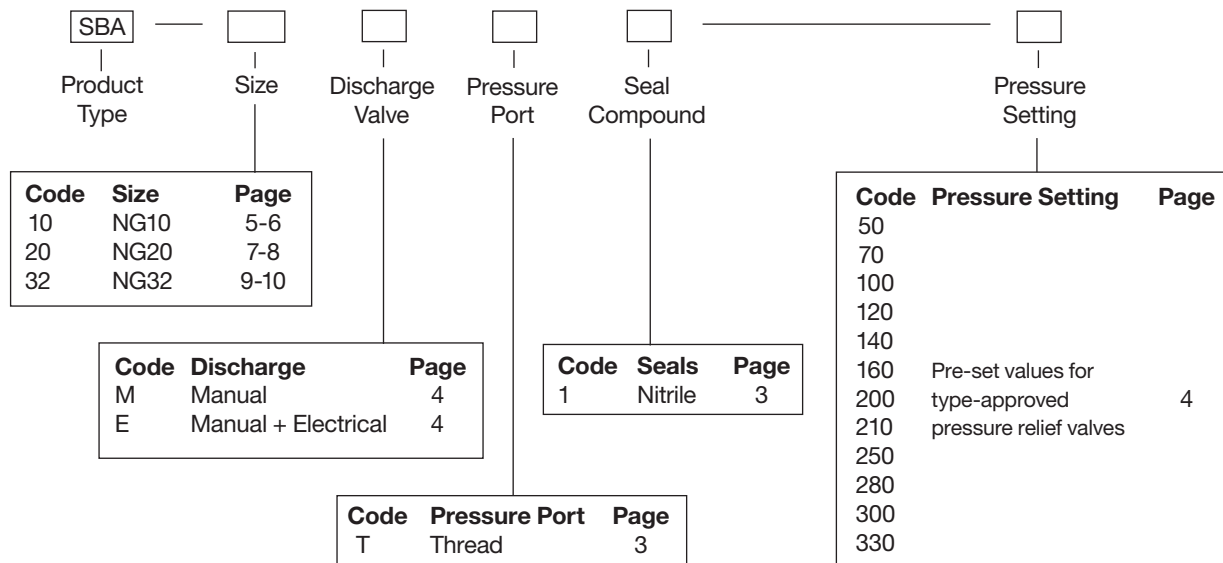


Flanged Adapter
UEST-F-xx



All dimensions are in millimetres unless otherwise stated.

How to Order



Parker Worldwide

AE – UAE, Dubai
Tel: +971 4 8127100
parker.me@parker.com

AR – Argentina, Buenos Aires
Tel: +54 3327 44 4129

AT – Austria, Wiener Neustadt
Tel: +43 (0)2622 23501-0
parker.austria@parker.com

AT – Eastern Europe, Wiener Neustadt
Tel: +43 (0)2622 23501 970
parker.easteurope@parker.com

AU – Australia, Castle Hill
Tel: +61 (0)2-9634 7777

AZ – Azerbaijan, Baku
Tel: +994 50 2233 458
parker.azerbaijan@parker.com

BE/LU – Belgium, Nivelles
Tel: +32 (0)67 280 900
parker.belgium@parker.com

BR – Brazil, Cachoeirinha RS
Tel: +55 51 3470 9144

BY – Belarus, Minsk
Tel: +375 17 209 9399
parker.belarus@parker.com

CA – Canada, Milton, Ontario
Tel: +1 905 693 3000

CH – Switzerland, Etoy
Tel: +41 (0) 21 821 02 30
parker.switzerland@parker.com

CN – China, Shanghai
Tel: +86 21 5031 2525

CZ – Czech Republic, Klecany
Tel: +420 284 083 111
parker.czechrepublic@parker.com

DE – Germany, Kaarst
Tel: +49 (0)2131 4016 0
parker.germany@parker.com

DK – Denmark, Ballerup
Tel: +45 43 56 04 00
parker.denmark@parker.com

ES – Spain, Madrid
Tel: +34 902 33 00 01
parker.spain@parker.com

FI – Finland, Vantaa
Tel: +358 (0)20 753 2500
parker.finland@parker.com

FR – France, Contamine s/Arve
Tel: +33 (0)4 50 25 80 25
parker.france@parker.com

GR – Greece, Athens
Tel: +30 210 933 6450
parker.greece@parker.com

HK – Hong Kong
Tel: +852 2428 8008

HU – Hungary, Budapest
Tel: +36 1 220 4155
parker.hungary@parker.com

IE – Ireland, Dublin
Tel: +353 (0)1 466 6370
parker.ireland@parker.com

IN – India, Mumbai
Tel: +91 22 6513 7081-85

IT – Italy, Corsico (MI)
Tel: +39 02 45 19 21
parker.italy@parker.com

JP – Japan, Fujisawa
Tel: +(81) 4 6635 3050

KR – South Korea, Seoul
Tel: +82 2 559 0400

KZ – Kazakhstan, Almaty
Tel: +7 7272 505 800
parker.easteurope@parker.com

LV – Latvia, Riga
Tel: +371 6 745 2601
parker.latvia@parker.com

MX – Mexico, Apodaca
Tel: +52 81 8156 6000

MY – Malaysia, Subang Jaya
Tel: +60 3 5638 1476

NL – The Netherlands, Oldenzaal
Tel: +31 (0)541 585 000
parker.nl@parker.com

NO – Norway, Ski
Tel: +47 64 91 10 00
parker.norway@parker.com

NZ – New Zealand, Mt Wellington
Tel: +64 9 574 1744

PL – Poland, Warsaw
Tel: +48 (0)22 573 24 00
parker.poland@parker.com

PT – Portugal, Leca da Palmeira
Tel: +351 22 999 7360
parker.portugal@parker.com

RO – Romania, Bucharest
Tel: +40 21 252 1382
parker.romania@parker.com

RU – Russia, Moscow
Tel: +7 495 645-2156
parker.russia@parker.com

SE – Sweden, Spånga
Tel: +46 (0)8 59 79 50 00
parker.sweden@parker.com

SG – Singapore
Tel: +65 6887 6300

SK – Slovakia, Banská Bystrica
Tel: +421 484 162 252
parker.slovakia@parker.com

SL – Slovenia, Novo Mesto
Tel: +386 7 337 6650
parker.slovenia@parker.com

TH – Thailand, Bangkok
Tel: +662 717 8140

TR – Turkey, Istanbul
Tel: +90 216 4997081
parker.turkey@parker.com

TW – Taiwan, Taipei
Tel: +886 2 2298 8987

UA – Ukraine, Kiev
Tel +380 44 494 2731
parker.ukraine@parker.com

UK – United Kingdom, Warwick
Tel: +44 (0)1926 317 878
parker.uk@parker.com

US – USA, Cleveland (industrial)
Tel: +1 216 896 3000

US – USA, Lincolnshire (mobile)
Tel: +1 847 821 1500

VE – Venezuela, Caracas
Tel: +58 212 238 5422

ZA – South Africa, Kempton Park
Tel: +27 (0)11 961 0700
parker.southafrica@parker.com

European Product Information Centre
Free phone: 00 800 27 27 5374
(from AT, BE, CH, CZ, DE, EE, ES, FI, FR, IE, IT, PT, SE, SK, UK)



Parker Hannifin Ltd
Tachbrook Park Drive
Tachbrook Park, Warwick CV34 6TU
United Kingdom
Tel.: +44 (0) 1926 317 878
Fax: +44 (0) 1926 317 855
www.parker.com