

# Hydraulic Cylinders Index...

Page

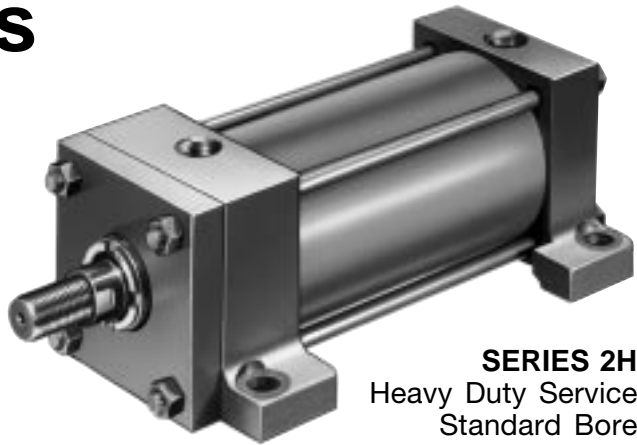
<b>Series 3L, Medium Duty, 1000 PSI</b>	3
Accessories	33-35
Available Mountings & Specifications	5
Cushion Data/Design Features & Materials	6-7
Dimensions: 1"-6" Bore	8-21
8" Bore	22-29
Spherical Bearing Mounts	30-31
Double Rod Models	32
How to Order	36
Model Numbers—How to Develop & Decode Them	37
Modifications & Options	Section C, Pages 1-3
Parts Identification—Cushion Hardware Kits/Seal Kits—Service Assembly Kits	Section C, Pages 40-45
TS2000 Kits	Section C Pages 50-51
<b>Series 2H, Heavy Duty, 3000 PSI</b>	Catalog HY08-1114/NA
<b>Series 3H, 7" &amp; 8" Bores, Heavy Duty, 3000 PSI</b>	Catalog HY08-1114/NA
<b>Series 3H, Heavy Duty, 3000 PSI, Large Bore</b>	Catalog HY08-1114/NA
<b>Series HMI, Heavy Duty ISO, 210 bar</b>	105
Accessories	117-119
Available Mountings & Specifications	107
Design Features	108-109
Dimensions: 25-200mm Bore	111-115
Double Rod Models	116
How to Order	120
Model Numbers	121
Modifications & Options	Section C, Pages 1-3
Parts Identification & Service Kits	Section C, Pages 56-57
<b>Series 2HD/3HD, Bolt-On Gland Option, 3000 PSI</b>	Catalog HY08-1114-1/NA
<b>Series VH, Very Heavy Duty, 3000 PSI</b>	156
2½"-8" Bore	156-162
<b>Series 2HX, 3HX Electrohydraulic Actuators</b>	163-213

B

For Cylinder Division Plant Locations – See Page II.

# Hydraulic Cylinders

**SERIES HMI**  
Heavy Duty Service  
ISO Bore Sizes 25mm-200mm



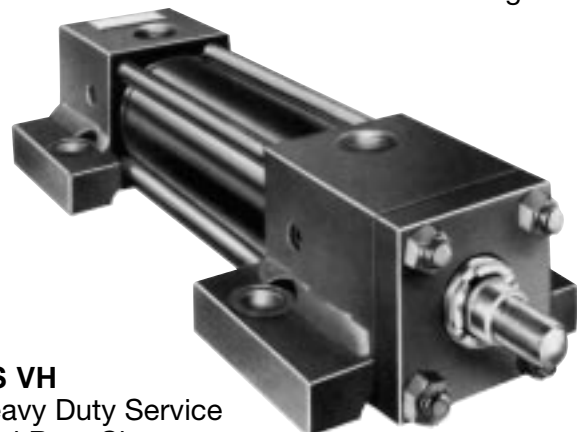
**SERIES 2H**  
Heavy Duty Service  
Standard Bore  
Sizes  
1 1/2" through 6"

**SERIES 3L**  
Medium Duty Service  
Standard Bore Sizes  
1" through 8"



**SERIES 3H**  
Heavy Duty Service  
Bore Sizes  
7" through 20"

**SERIES HD**  
Heavy Duty Service  
Standard Bore Sizes  
1 1/2" through 8"



**SERIES VH**  
Very Heavy Duty Service  
Standard Bore Sizes  
2 1/2" through 8"

For additional information – call your local Parker Cylinder Distributor.