



USB-DLA kit Diagnostic Devices

Catalog HY33-5010/US



ENGINEERING YOUR SUCCESS.

Application

The purpose of a Data Link Adapter (DLA) is implied by its name. It is an adapter that provides a link between two different data networks or protocols. The Parker Vansco USB-DLA provides the link between a PC and an automotive network. Information from the engine and transmission is converted into a format that a laptop can understand. The USB-DLA transfers data from computer ports (USB) to vehicle ports (J1939, J1708).

Properties

Features

The Data Link Adapter is sold in kit form. The purpose of the USB-DLA toolkit is to provide to the customer a DLA with all of the necessary harnesses and adapters needed to link it to different networks or protocols. The USB-DLA kit is supplied in a high density polyethylene, blow-molded case. The kit includes cables to interface with either J1939, or J1587/1708 diagnostic ports. There are also cables for Deutsch or Cannon connector types used in vehicle communication buses, 2 “Y” adapters, a CAN bus terminator, and a USB cable to connect the DLA to your laptop computer.

The USB-DLA operates from USB port power; a vehicle battery connection is not needed. The unit has status LEDs that indicate network activity.

The USB-DLA is made to operate in a typical automotive service environment. The DLA is protected to extremes of temperature and chemicals. As a handheld unit, the unit can withstand being dropped, but it is not protected from certain vehicle stresses such as steam cleaning, or pressure washing.

General

Weight	270 g (USB-DLA only)
Temperature range	
Operating, ambient	-40 to +85 °C
Storage, ambient	-55 to +125 °C
Protection	EP455
Voltage supply	
-bus powered	4.4 - 5.0 Vdc
-current draw	200 mA max.
-V _{BAT} powered	5 - 32 Vdc
-current draw	300 mA max.

Communication

USB 2.0 high speed	1
SAE J1939	1
SAE J1708	1

Ordering part numbers

USB-DLA kit	0779A06ECD
-------------	------------



USB-DLA kit



Contents of kit

Environmental protection

EMI

J1455 (Apr 2003) Section 4.11.1, Reverse polarity
 EP455 (Jul 1991) Section 5.10.4, Short circuit
 ISO7637-2 (Jun 2004)/EP455 (Jul 1991) Section 5.11.X, Electrical transients
 ISO14982-1, EMC emissions
 ISO14982-1, EMC susceptibility

ESD

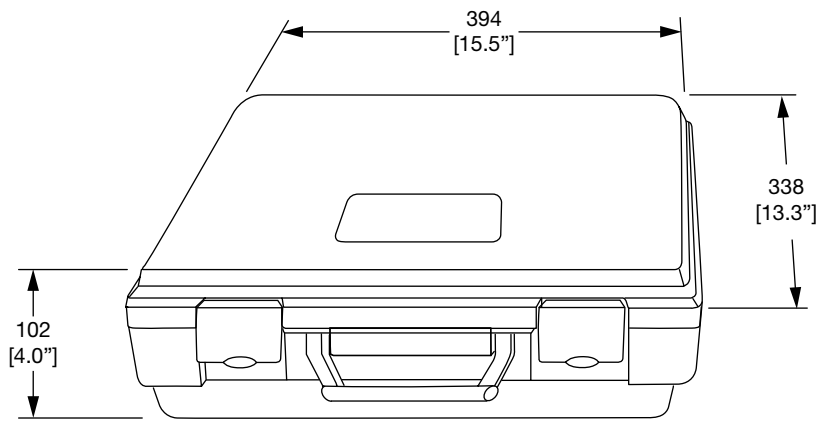
EP455 (Jul 1991) Section 5.12, ESD

Mechanical environment

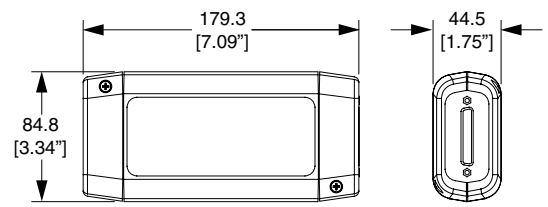
EP455 (Jul 1991) Section 5.15.1, Random vibration
 EP455 (Jul 1991) Section 5.14.1, Mechanical shock
 EP455 (Jul 1991) Section 5.14.2.2, Handling drop test

Climate environment

EP455 (Jul 1991) Section 5.1.1, Thermal cycle
 EP455 (Jul 1991) Section 5.1.3, Thermal shock



Case dimensions



USB-DLA dimensions

units = mm
[inch]



WARNING - USER RESPONSIBILITY

FAILURE OR IMPROPER SELECTION OR IMPROPER USE OF THE PRODUCTS DESCRIBED HEREIN OR RELATED ITEMS CAN CAUSE DEATH, PERSONAL INJURY AND PROPERTY DAMAGE.

- This document and other information from Parker-Hannifin Corporation, its subsidiaries and authorized distributors provide product or system options for further investigation by users having technical expertise.
- The user, through its own analysis and testing, is solely responsible for making the final selection of the system and components and assuring that all performance, endurance, maintenance, safety and warning requirements of the application are met. The user must analyze all aspects of the application, follow applicable industry standards, and follow the information concerning the product in the current product catalog and in any other materials provided from Parker or its subsidiaries or authorized distributors.
- To the extent that Parker or its subsidiaries or authorized distributors provide component or system options based upon data or specifications provided by the user, the user is responsible for determining that such data and specifications are suitable and sufficient for all applications and reasonably foreseeable uses of the components or systems.

OFFER OF SALE

The items described in this document are hereby offered for sale by Parker-Hannifin Corporation, its subsidiaries or its authorized distributors. This offer and its acceptance are governed by the provisions stated in the detailed "Offer of Sale" available from your Parker representative or at www.parker.com.

Parker Hydraulics International Sales Offices

North America

Hydraulics Group Headquarters

6035 Parkland Boulevard
Cleveland, OH 44124-4141 USA

Tel: 216-896-3000

Fax: 216-896-4031

Parker Canada Division

160 Chisholm Drive Milton
Ontario Canada L9T 3G9

Tel: 905-693-3000

Fax: 905-876-1958

Parker Hannifin de México

Industrial Hydraulic Sales

Eje Uno Norte No.100

Parque Industrial Toluca 2000

Toluca, Edo, de Mexico CP 50100

Tel: 52 722 275 4200

Fax: 52 722 279 9308

Parker Hannifin de México

Mobile Hydraulic Sales

Via de FFCC a Matamoraos 730

Apodaca, NL, de Mexico CP 66600

Tel: 52 81 8156 6000

Fax: 52 81 8156 6068

Europe

Hydraulics Group Headquarters

La Tuilière 6

1163 Etoy - Switzerland

Tel: 41 21 821 8500

Fax: 41 21 821 8580

South Africa

Parker Hannifin Africa Pty Ltd

P.O. Box 1153

ZA-Kempton Park 1620,

Republic of South Africa

Tel: 27 11 961 0700

Fax: 27 11 392 7213

Mobile Sales

Mobile Sales Organization

and Global Sales

850 Arthur Avenue

Elk Grove Village, IL 60007 USA

Tel: 847-258-6200

Fax: 847-258-6299

Industrial Sales

Central Region

1042 Maple Avenue

Unit 331

Lisle, IL 60532 USA

Tel: 630-964-0796

Great Lakes Region

6035 Parkland Boulevard

Cleveland, OH 44124-4141 USA

Tel: 216-896-2740

Fax: 866-498-7507

Gulf Region

20002 Standing Cypress Drive

Spring, TX 77379 USA

Tel: 817-473-4431

Fax: 888-227-9454

Southwest Region

700 S. 4th Avenue

Mansfield, TX 76063 USA

Tel: 817-473-9341

Fax: 817-473-2680

Mid Atlantic and Southeast

Regions

1225 Old Alpharetta Road

Suite 290

Alpharetta, GA 30005 USA

Tel: 770-619-9767

Fax: 770-619-9806

Midwest Region

8145 Lewis Road

Minneapolis, MN 55427 USA

Tel: 763-513-3535

Fax: 763-544-3418

Northeast Region

P.O. Box 396

Pine Brook, NJ 07058 USA

Tel: 973-227-2565

Fax: 973-227-2467

Northwest Region

6458 North Basin Avenue

Portland, OR 97217 USA

Tel: 503-283-1020

Fax: 866-611-7308

Pacific Region

8460 Kass Drive

Buena Park, CA 90621

Tel: 714-228-2510

Fax: 714-228-2511

Asia Pacific

Parker Hannifin Shanghai Ltd

280 Yunqiao Road,

Jin Qiao Export Processing Zone

Shanghai 201206, China

Tel: 86 21 2899 5000

Fax: 86 21 6445 9917

Parker Hannifin Hong Kong Ltd

8/F, Kin Yip Plaza

9 Cheung Yee Street

Cheung Sha Wan, Hong Kong

Tel: 852 2428 8008

Fax: 852 2425 6896

Parker Hannifin Korea Ltd

9F KAMCO Yangjae Tower

949-3 Dogok1-dong, Gangnam-gu

Seoul, 135-860, Korea

Tel: 82 2 559 0400

Fax: 82 2 556 8187

Parker Hannifin India Pvt Ltd

Plot No. EL-26, MIDC

TTC Industrial Area

Mahape, Navi Mumbai, 400 709 India

Tel: 91 22 6513 7081

Fax: 91 22 2768 6841

Parker Hannifin Australia

Parker Hannifin Pty Ltd.

9 Carrington Road

Castle Hill, NSW 2154, Australia

Tel: 612 9634 7777

Fax: 612 9842 5111

Latin America

Parker Hannifin Ind. e Com. Ltda

Hydraulics Division

Av. FredericoRitter, 1100

94930-000 Cachoeirinha RS, Brazil

Tel: 55 51 3470 6090

Fax: 55 51 3470 9281

Parker Hannifin Argentina S.A.I.C.

Stephenson 2711

1667-Tortuguitas-Malvinas Argentinas

Pcia. de Buenos Aires, Argentina

Tel: 54 3327 44 4129

Fax: 54 3327 44 4199

Pan American Division

7400 NW 19th Street, Suite A

Miami, FL 33126 USA

Tel: 305-470-8800

Fax: 305-470-8808

PB-USBDLA-201705-06

© 2010-2017 Parker Hannifin Corporation. All rights reserved.

HY33-5010/US

05/2017



Parker Hannifin Corporation
Electronic Controls Division
850 Arthur Avenue
Elk Grove Village, IL, 60007 USA
phone 800 221 9257
eccinfo@parker.com
www.parker.com/ecc

Your Local Authorized Parker Distributor