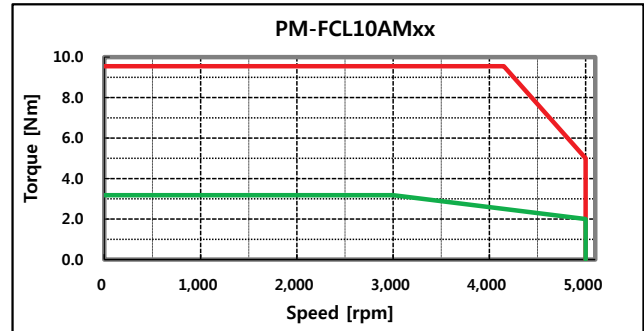
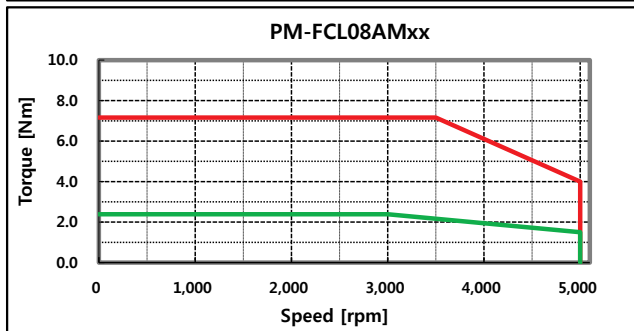
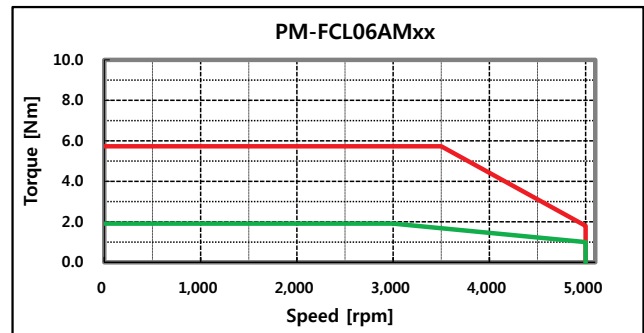
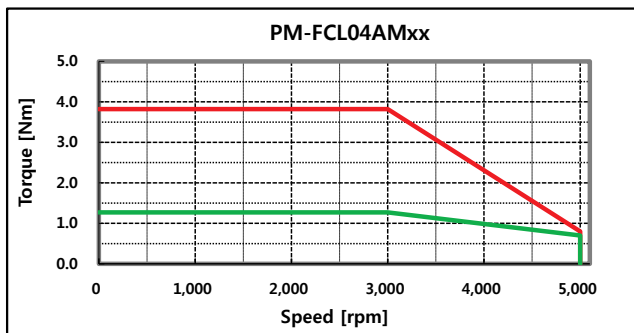


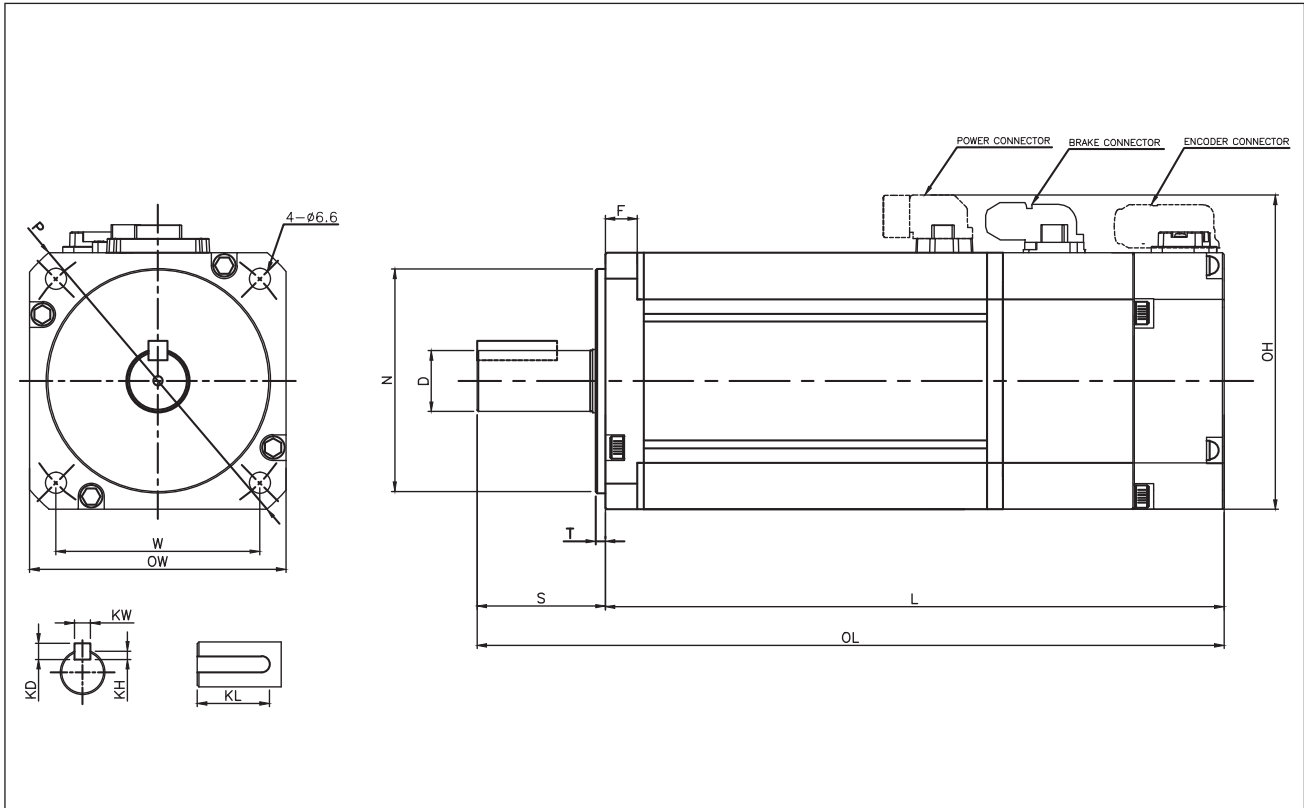
P Series Servo Motors

FCL Specifications

		PM-FCL04AM	PM-FCL06AM	PM-FCL08AM	PM-FCL10AM
Rated Output Power	Watts	400	600	800	1000
Rated Torque	N-m	1.27	1.91	2.39	3.18
	in-lb	11.2	16.9	21.2	28.1
Instantaneous Peak Torque	N-m	3.82	5.73	7.16	9.55
	in-lb	33.8	50.7	63.4	84.5
Rated Speed	rpm	3000	3000	3000	3000
Peak Speed	rpm	5000	5000	5000	5000
Rated Current	Arms	2.58	3.81	5.02	5.83
Peak Current	Arms	7.75	11.42	15.07	17.50
Inductance	mH	7.45	3.86	2.31	2.28
Resistance	ohms	1.75	0.66	0.40	0.33
Torque Constant	Nm/Arms	0.52	0.53	0.50	0.58
Moment of Inertia	kg-m ² x 10 ⁻⁴	0.5	0.88	1.25	1.62
	in-lb-sec ² x 10 ⁻⁴	4.4	7.8	11.1	14.3
Allowable Moment of Load Inertia	Motor Inertia x 15				
Position Feedback	BiSS-C Interface – 19bit/16bit 524,288ppr 65,535 revs				
Weight	kg	1.56	2.18	2.72	3.8
	lb	3.4	4.8	6.0	8.4
Standards	CE (EMC, LVD), UL (pending)				
Protection	IP67 (body and connectors, not shaft)				
Environmental					
	Temperature	0 - 40 °C			
	Humidity	20-80% non-condensing			
	Shock / Vibration	5G (49m/s ²)			



FCL Dimensions



(Unit: mm)

	OW	OH	OL	L	N	W	D	F	S	T	KW	KH	KD	KL	P
PM-FCL04AMK	80	98	138.7	98.7	70	63.6**	14	10	40	3	5	3	5	25	105
PM-FCL06AMK			156.7	116.7			19				6	3.5	6		
PM-FCL08AMK			174.7	134.7			19				6	3.5	6		
PM-FCL10AMK			192.7	152.7			14				5	3	5		
PM-FCL04AMK2*			179	139			14				5	3	5		
PM-FCL06AMK2*			197	157			19				6	3.5	6		
PM-FCL08AMK2*			215	175			19				6	3.5	6		
PM-FCL10AMK2*			233	193			19				6	3.5	6		

Notes

- * Includes Static Brake
- **Bolt Circle Diameter =90mm

Solid Models Available for Download parkermotion.com/pseries